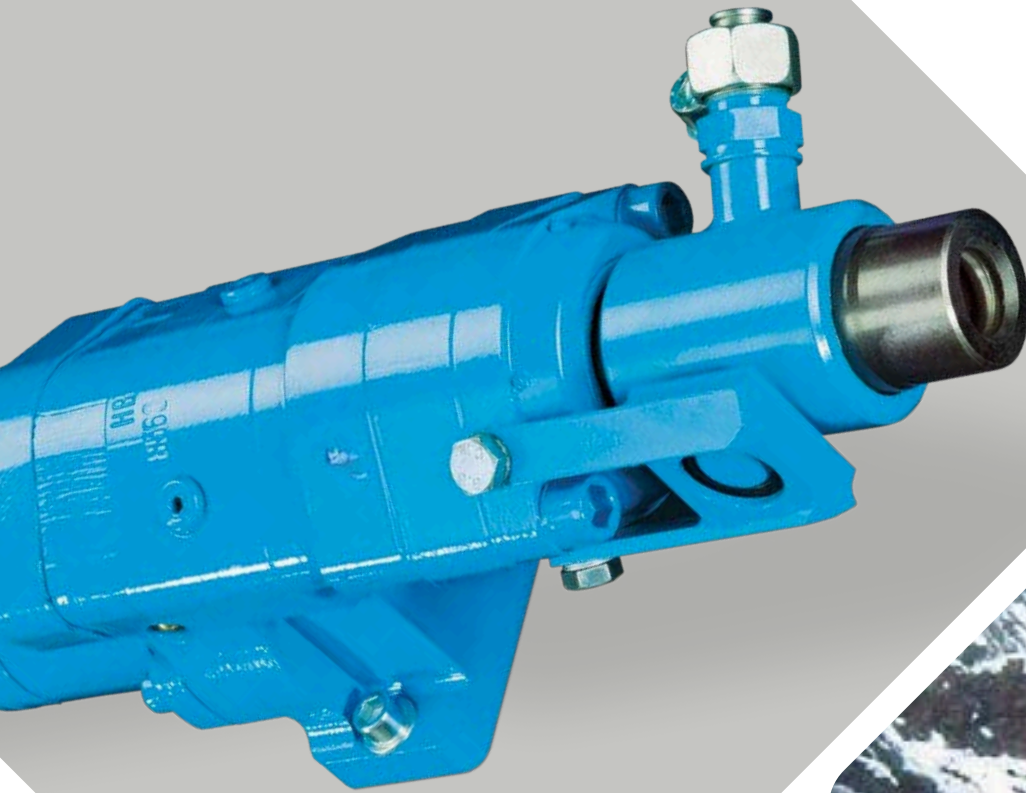




terra
infrastructure

safety: efficient and sustainable



DRIFTER
HB5

Drifter HB5

HB5 is a small-size Drifter (top-hammer) especially developed for:

- Micropile drilling up to a casing diameter of 3 inch (ø76 mm)
- Threaded hollow bar drilling (self-drilling anchors) up to a bar diameter of 1.5 inch (ø40 mm)

HB5 has a standard built-in hydraulic damping mechanism to avoid blank impacts and to allow percussion during retraction of casings.

HB5 offers 4 different motors (75 ccm, 100 ccm, 160 ccm, 370 ccm).

Percussion Unit

Operating pressure	160 - 180 bar
Oil flow rate	50 - 60 l/min
Impact rate	(50 Hz) 3,000 min ⁻¹
Single impact energy	140 Nm

Shank Adaptors (Striker Bars)

Male thread	R25 left R32 left R38 left
Female thread	R25 left R32 left R38 left T38 left
	Titan 30/11 left 40/16 left

OPTIONS

- External flushing head for casings and self-drilling hollow bars
- Integrated flushing through extended shank adaptor (striker bar)
- Drifter version without hydraulic damping mechanism available

Rotary Drives

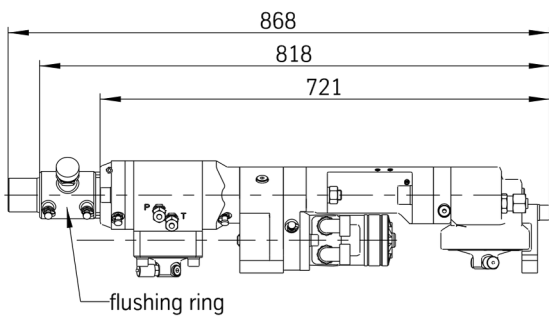
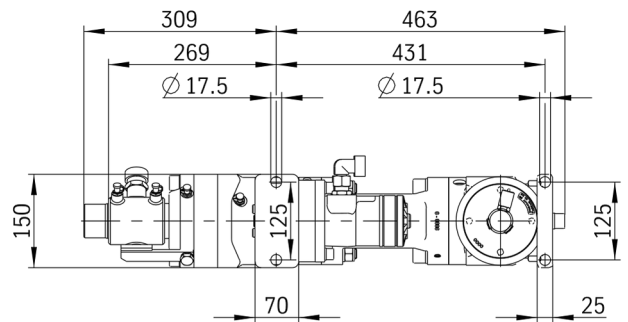
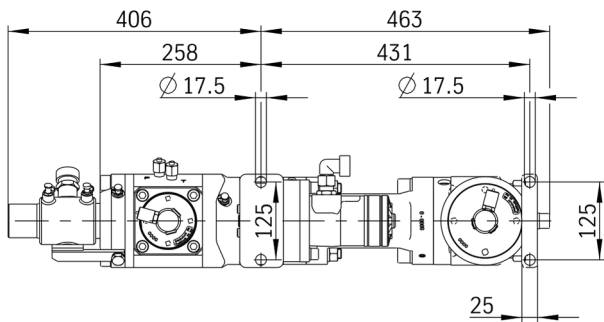
Motor-Version 75 ccm																			
Pressure at rotary drive		100 bar					130 bar					155 bar				165 bar			
Gear					1.					1.									
Oil flow rate (lpm)	30	Torque (Nm)			100					130					150		160		
		Speed (rpm)			362					350					338		325		
	45	Torque (Nm)			100					130					150		160		
		Speed (rpm)			543					526					506		488		
	57	Torque (Nm)			100					130					150		160		
		Speed (rpm)			688					666					642		705		
■ Intermittend mode (max. 10% per minute)																			

Motor-Version 100 ccm																			
Pressure at rotary drive		70 bar					100 bar					130 bar				155 bar			
Gear					1.					1.				1.			1.		
Oil flow rate (lpm)	30	Torque (Nm)			90					130				170			200		
		Speed (rpm)			289					280				271			261		
	45	Torque (Nm)			90					130				170			200		
		Speed (rpm)			434					420				406			392		
	57	Torque (Nm)			90					130				170			200		
		Speed (rpm)			550					532				515			496		
■ Intermittend mode (max. 10% per minute)																			

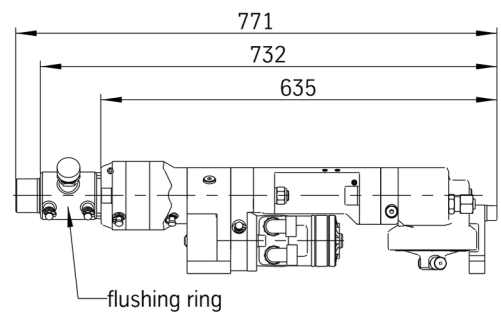
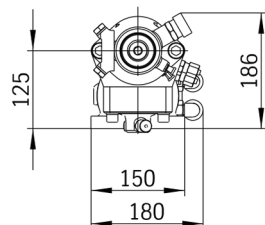
Motor-Version 160 ccm																			
Pressure at rotary drive		70 bar					100 bar					130 bar				155 bar			
Gear					1.					1.				1.			1.		
Oil flow rate (lpm)	30	Torque (Nm)			150					210				270			320		
		Speed (rpm)			176					170				164			158		
	45	Torque (Nm)			150					210				270			320		
		Speed (rpm)			263					255				246			237		
	57	Torque (Nm)			150					210				270			320		
		Speed (rpm)			333					323				312			301		
■ Intermittend mode (max. 10% per minute)																			

Motor-Version 370 ccm																			
Pressure at rotary drive		30 bar					40 bar					70 bar				100 bar			
Gear					1.					1.				1.			1.		
Oil flow rate (lpm)	30	Torque (Nm)			150					190				330			480		
		Speed (rpm)			81					78				78			78		
	45	Torque (Nm)			150					190				330			480		
		Speed (rpm)			122					118				118			118		
	57	Torque (Nm)			150					190				330			480		
		Speed (rpm)			154					149				149			149		
■ Intermittend mode (max. 10% per minute)																			

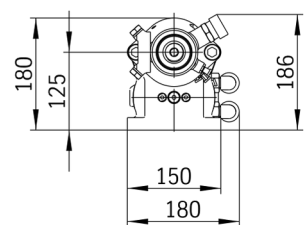
Dimensions

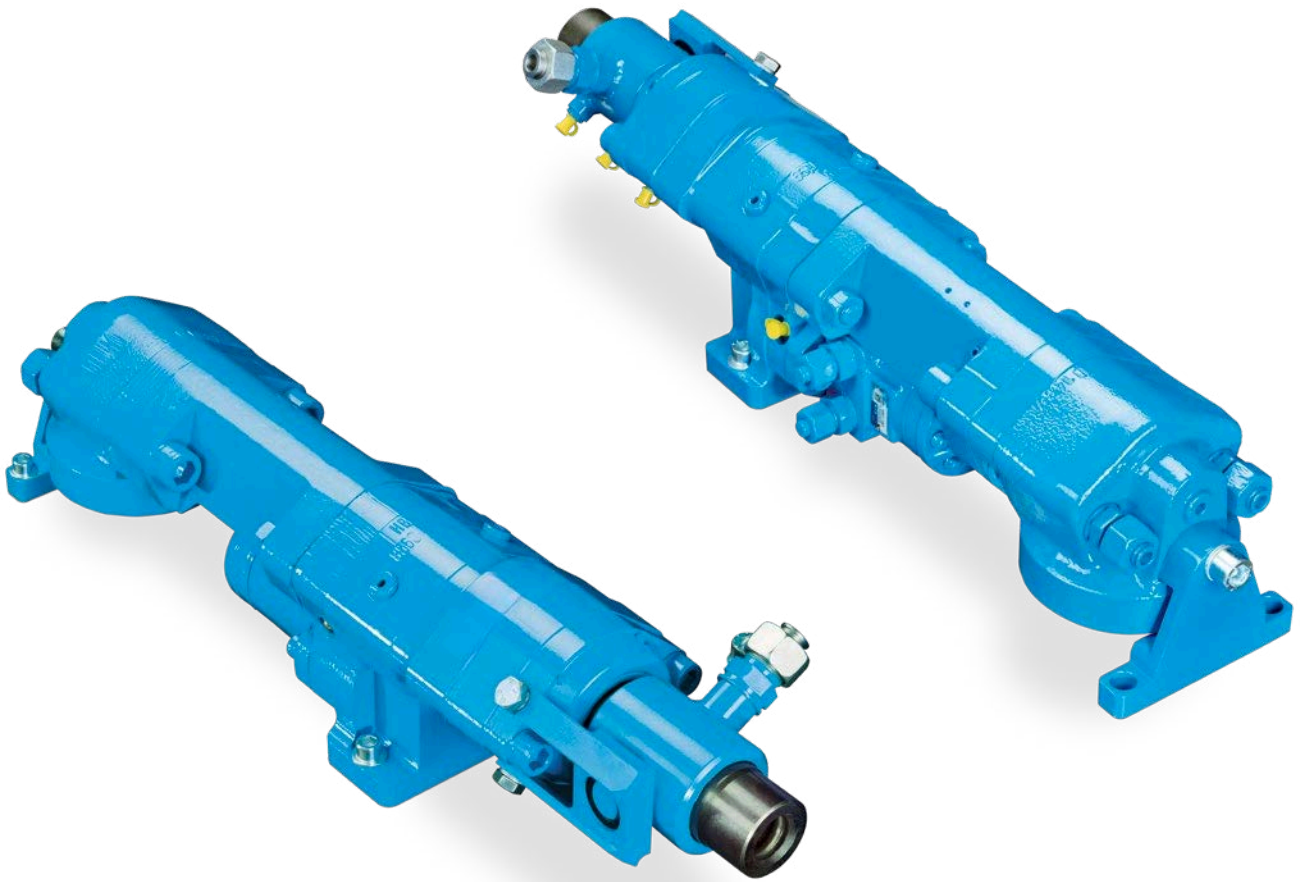


weight approx. 70 kg
retraction force max. 33 kN



weight approx. 60 kg
retraction force max. 33 kN





HB5 drilling in a granite quarry



HB5 nailing in the mountains

terra infrastructure GmbH, Alte Liederbacher Straße 6, 36304 Alsfeld, Germany
P: +49 6631 781-0
sales.drilling@terra-infrastructure.com | www.terra-infrastructure.com

Australia

terra infrastructure Pty Ltd, 11 Woodford Pl, Thornton NSW 2322, Australia
P: +61 2 8448-3555
info.anz@terra-infrastructure.com
www.terra-infrastructure.com.au

New Zealand, Pacific Islands

terra infrastructure Pty Ltd, 180 Fred Taylor Drive, Whenuapai Auckland 0814, New Zealand
P: +64 9 416-8891
info.anz@terra-infrastructure.com
www.terra-infrastructure.co.nz

Baltic States

terra infrastructure UAB, Liepų g. 83, 93269 Klaipėda, Lithuania
P: +370 46 355-401
www.terra-infrastructure.com/lt



terra
infrastructure
Building Growth Together.