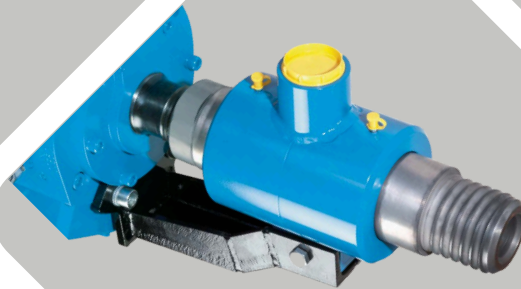
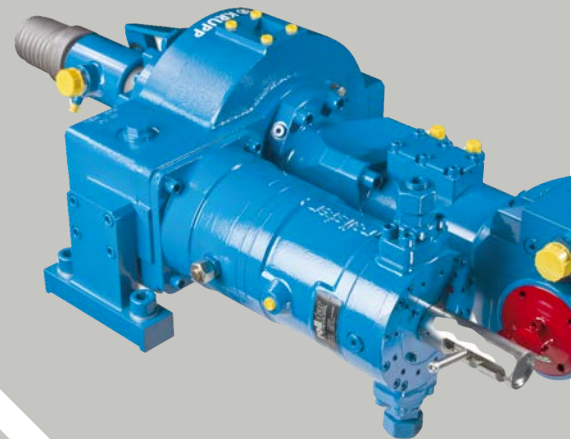
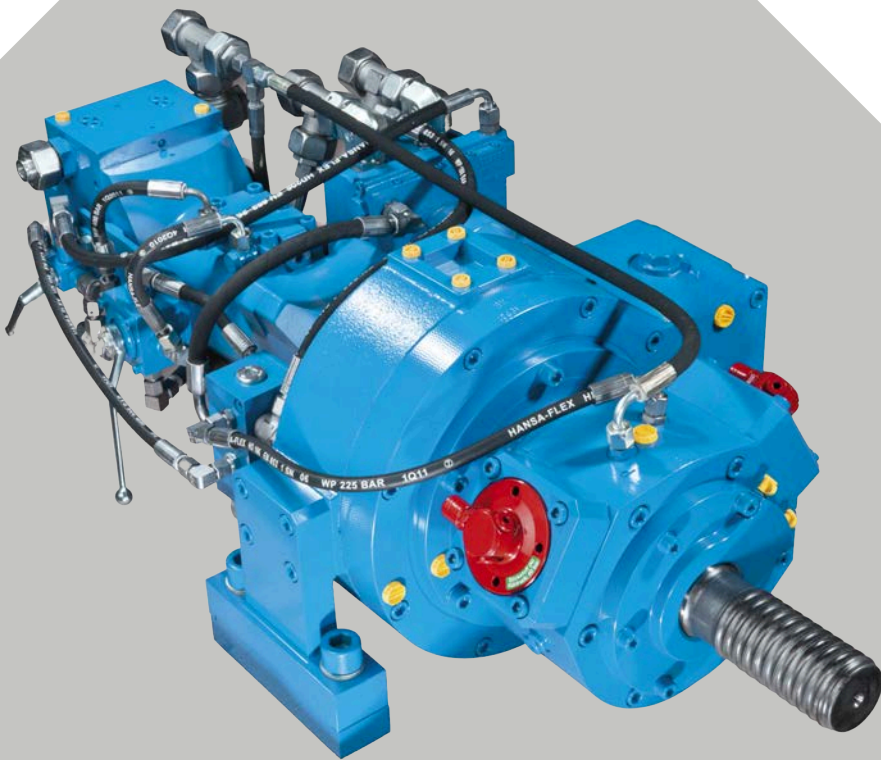




terra
infrastructure

safety: efficient and sustainable



DRIFTER
HB35

DRIFTER HB35

HB35 is a mid-size Drifter (top-hammer) especially developed for:

- Micropile drilling up to a casing diameter of 6 inch (ø152,4 mm)
- Threaded hollow bar drilling (self-drilling anchors) up to a bar diameter of 3 inch (ø76,2 mm)

HB35 has a standard built-in hydraulic damping mechanism to avoid blank impacts and to allow percussion during retraction of casings; optional with a rubber damping mechanism.

HB35 achieves an optimal drilling performance in different types of soil by adjusting the impact frequency and impact energy, therefore 3 different impact frequencies and impact energies are available.

HB35 offers 3 different ways to switch between the percussion mechanism and the speed of the rotary drive, either electrically or hydraulically or manually (by hand) and it offers 4 different high-speed and high-pressure motors (344 ccm, 480 ccm, 677 ccm, 940 ccm) and one 3-speed Rollstar motor (110 ccm).

Percussion Unit

Operating pressure	180 - 200 bar
Oil flow rate	70 - 90 l/min
Impact rate	(20 30 42 Hz) 1.200 1.800 2.500 min ⁻¹
Single impact energy	590 400 340 Nm

Shank Adaptors (Striker Bars)

Male thread	C64 left C64 right R55(H55) left R55(H55) right
Male thread with flushing	T45 left T51 left
Special thread	88.9 con. male 101.6 con. male + T38 female left
Special thread	WAF 1 5/8"

OPTIONS

- External flushing head for casings and self-drilling hollow bars
- Integrated flushing through shank adaptor (striker bar)
- Built-in RPM sensor with external box for speed indication
- Drifter with rubber damping mechanism
- Drifter version without damping mechanism
- Drifter version with Rollstar Motor (3-stage manual motor)
- Possible motor positions: left side, right side or on top

Rotary Drives

Motor-Version HP480 ccm

Pressure at rotary drive			170 bar			200 bar			240 bar			280 bar		
Gear			2 nd	1 st		2 nd	1 st		2 nd	1 st		2 nd	1 st	
Oil flow rate (lpm)	90	Torque (Nm) Speed (rpm)	2.500 73	3.900 48		3.100 72	4.800 48		3.700 72	5.700 48		4.300 71	6.600 48	
	120	Torque (Nm) Speed (rpm)	2.400 98	3.800 66		3.000 98	4.700 66		3.600 98	5.500 66		4.200 98	6.500 66	
	170	Torque (Nm) Speed (rpm)	2.100 144	3.500 96		2.700 141	4.400 94		3.300 140	5.300 93		3.900 140	6.200 93	
1 st gear, 2 nd gear (2-speed mode)														

Motor-Version HP677 ccm (Standard)

Pressure at rotary drive			170 bar			200 bar			240 bar			280 bar		
Gear			2 nd	1 st		2 nd	1 st		2 nd	1 st		2 nd	1 st	
Oil flow rate (lpm)	90	Torque (Nm) Speed (rpm)	3.600 51	5.600 34		4.400 51	6.800 34		5.200 51	8.000 34		6.100 51	9.400 34	
	120	Torque (Nm) Speed (rpm)	3.400 70	5.400 47		4.200 70	6.600 46		5.000 70	7.800 46		5.900 70	9.200 46	
	170	Torque (Nm) Speed (rpm)	3.000 102	5.000 68		3.800 100	6.200 67		4.600 99	7.400 66		5.500 99	8.800 66	
1 st gear, 2 nd gear (2-speed mode)														

Motor-Version HP940 ccm

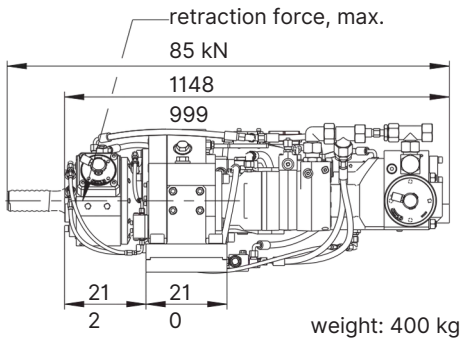
Pressure at rotary drive			170 bar			200 bar			240 bar					
Gear			2 nd	1 st		2 nd	1 st		2 nd	1 st				
Oil flow rate (lpm)	90	Torque (Nm) Speed (rpm)	5.000 37	7.700 25		6.100 37	9.400 24		7.100 37	10.600 24				
	120	Torque (Nm) Speed (rpm)	4.700 51	7.500 34		5.900 50	9.100 33		6.800 50	10.300 33				
	170	Torque (Nm) Speed (rpm)	4.200 74	6.900 49		5.300 72	8.600 48		6.200 72	9.800 48				
1 st gear, 2 nd gear (2-speed mode) ■ Intermittend mode (max. 10% per minute)														

Motor-Version 110 ccm (Rollstar)

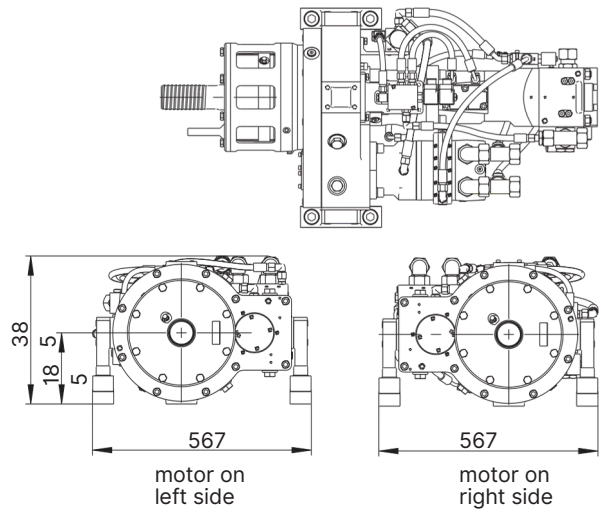
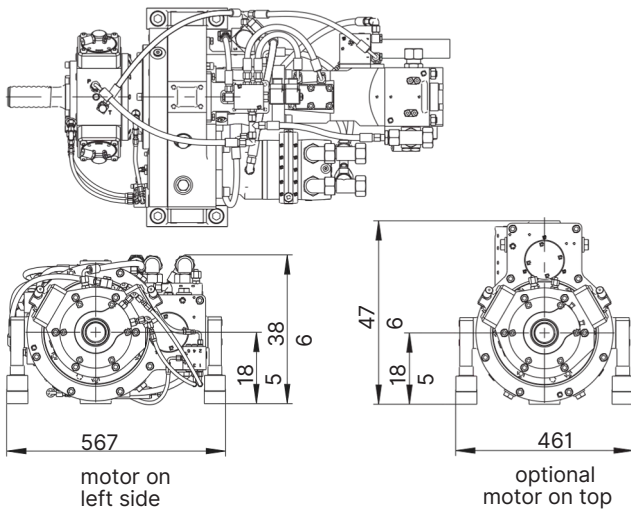
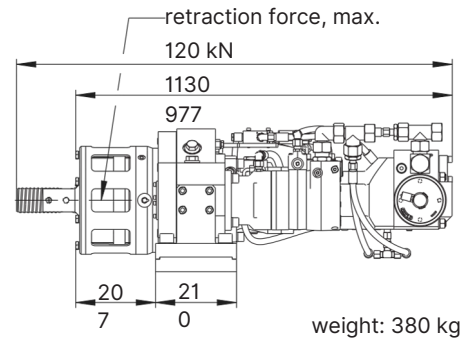
Pressure at rotary drive			170 bar			210 bar			240 bar					
Gear			3 rd	2 nd	1 st	3 rd	2 nd	1 st	3 rd	2 nd	1 st			
Oil flow rate (lpm)	60	Torque (Nm) Speed (rpm)	900 170	3.100 51	7.900 18	1.100 170	3.800 51	10.100 18	1.300 170	4.400 61	11.700 18			
	90	Torque (Nm) Speed (rpm)	900 256	3.000 76	7.200 27	1.100 256	3.800 76	9.300 27	1.300 256	4.300 78	10.900 27			
	110	Torque (Nm) Speed (rpm)	900 313	3.000 93	6.500 33	1.100 313	3.700 93	8.700 33	1.300 313	4.300 93	10.300 33			
1 st gear, 2 nd gear, 3 rd gear (manual changeover) ■ Intermittend mode (max. 10% per minute)														

Main Dimensions

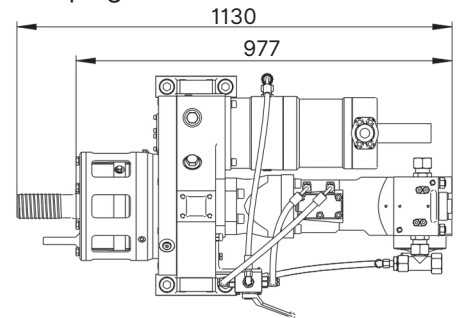
with hydraulic damping mechanism



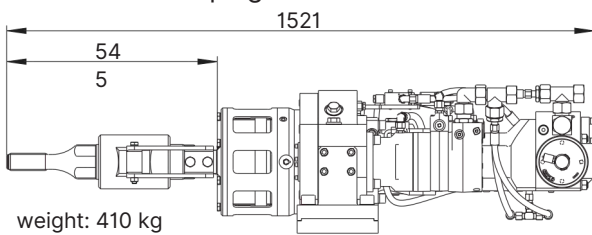
with rubber damping mechanism



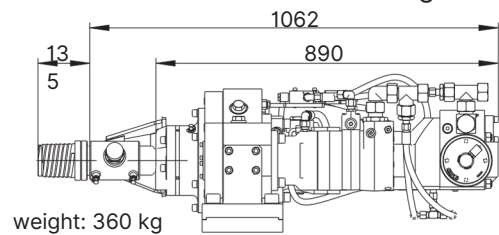
with rubber damping mechanism & rollstar motor

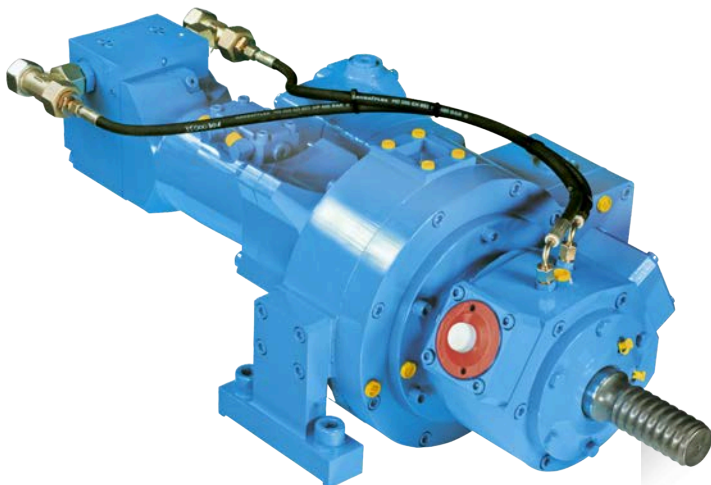
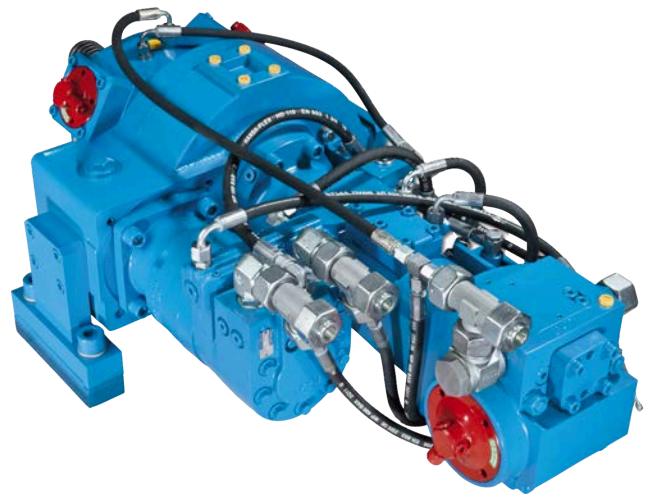
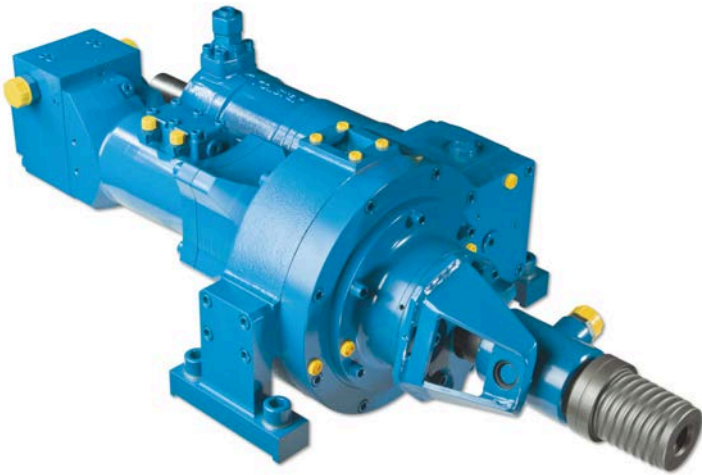
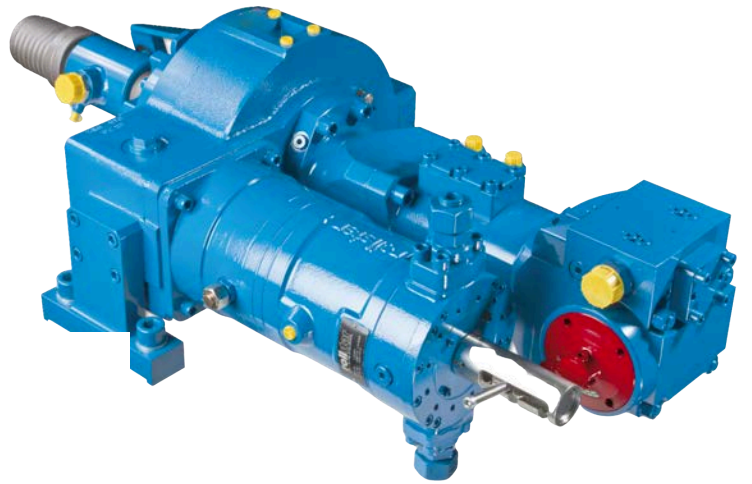


with rubber damping mechanism & external flushing head



with external flushing head





terra infrastructure GmbH, Alte Liederbacher Straße 6, 36304 Alsfeld, Germany
P: +49 6631 781-0
sales.drilling@terra-infrastructure.com | www.terra-infrastructure.com

Australia

terra infrastructure Pty Ltd, 11 Woodford Pl, Thornton NSW 2322, Australia
P: +61 2 8448-3555
info.anz@terra-infrastructure.com
www.terra-infrastructure.com.au

New Zealand, Pacific Islands

terra infrastructure Pty Ltd, 180 Fred Taylor Drive, Whenuapai Auckland 0814, New Zealand
P: +64 9 416-8891
info.anz@terra-infrastructure.com
www.terra-infrastructure.co.nz

Baltic States

terra infrastructure UAB, Liepų g. 83, 93269 Klaipėda, Lithuania
P: +370 46 355-401
www.terra-infrastructure.com/lt



terra
infrastructure