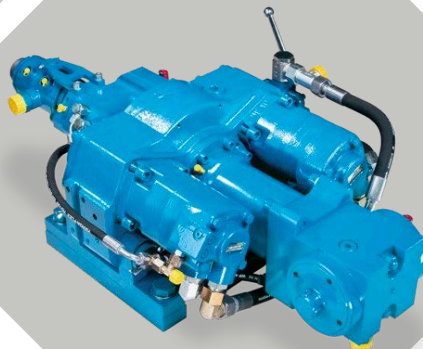
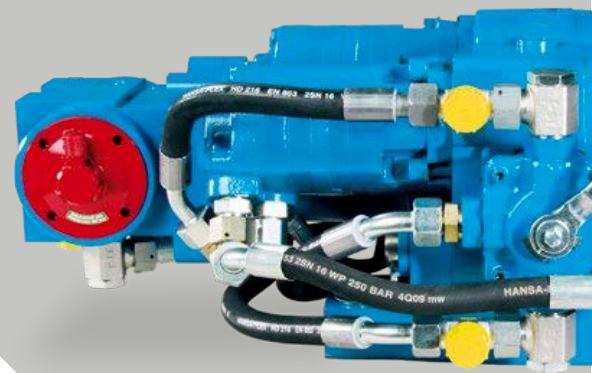
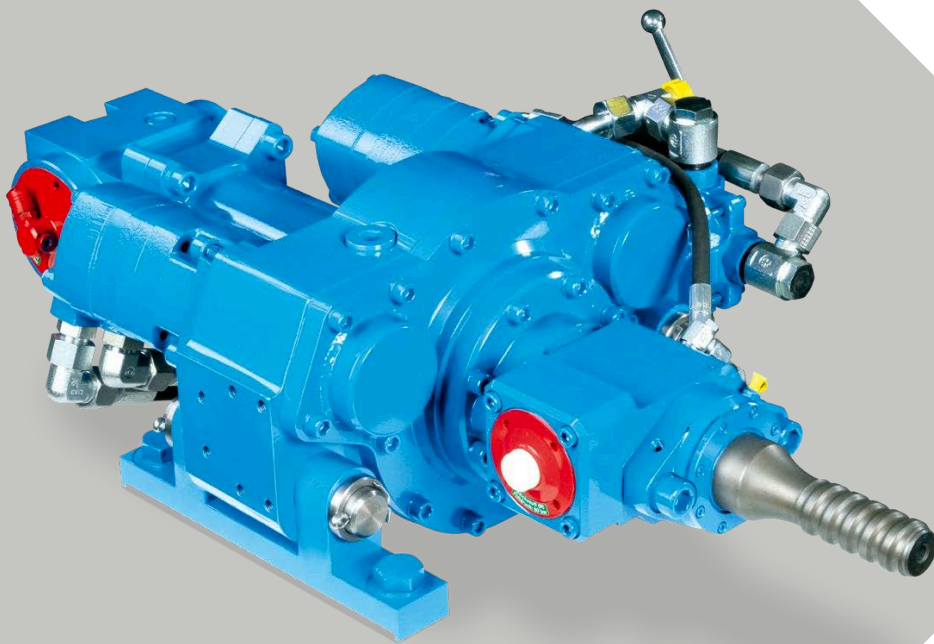


terra
infrastructure

safety: efficient and sustainable



DRIFTER
HB20

DRIFTER HB20

HB20 is a small-size Drifter (top-hammer) especially developed for:

- Micropile drilling up to a casing diameter of 4 inch (ø101,6 mm)
- Threaded hollow bar drilling (self-drilling anchors) up to a bar diameter of 2 inch (ø52 mm)

HB20 has a standard built-in hydraulic damping mechanism to avoid blank impacts and to allow percussion during retraction of casings.

HB20 offers 3 different ways to switch between the speed of the rotary drive, either electrically or hydraulically or manually (by hand) and it offers 4 different motors (160 ccm, 205 ccm, 245 ccm, 310 ccm).

Percussion Unit

Operating pressure	170 - 190 bar
Oil flow rate	70 - 80 l/min
Impact rate	(50 Hz) 3.000 min ⁻¹
Single impact energy	270 Nm

Shank Adaptors (Striker Bars)

Male thread	R32 left R38 left T38 left T45 left R55(H55) right R55(H55) left
Female thread	R32 left R38 left T38 left Titan 30/11 left 40/16 left 52/26 left

OPTIONS

- External flushing head for casings and self-drilling hollow bars
- Integrated flushing through extended shank adaptor (striker bar)
- Drifter version without damping mechanism available

Rotary Drives

Motor-Version 160 ccm

Pressure at rotary drive			140 bar				170 bar				200 bar				240 bar			
Gear					2 nd	1 st			2 nd	1 st			2 nd	1 st			2 nd	1 st
Oil flow rate (lpm)	50	Torque (Nm) Speed (rpm)			1.000 109	2.100 53			1.300 106	2.600 51			1.500 102	3.100 48			1.800 96	3.600 43
	75	Torque (Nm) Speed (rpm)			1.000 151	2.100 81			1.300 148	2.600 78			1.500 144	3.100 74			1.800 137	3.600 70
	95	Torque (Nm) Speed (rpm)			1.000 173	2.100 95			1.300 169	2.600 92			1.500 164	3.100 88			1.800 157	3.600 83
1st gear (parallel mode), 2 nd gear (serial mode)																	■ Intermittend mode (max. 10% per minute)	

Motor-Version 205 ccm

Pressure at rotary drive			140 bar				170 bar				200 bar				240 bar			
Gear					2 nd	1 st			2 nd	1 st			2 nd	1 st			2 nd	1 st
Oil flow rate (lpm)	50	Torque (Nm) Speed (rpm)			1.300 76	2.600 32			1.600 74	3.200 31			1.900 72	3.800 28			2.200 68	4.300 25
	75	Torque (Nm) Speed (rpm)			1.300 110	2.600 53			1.600 108	3.200 52			1.900 104	3.800 50			2.200 100	4.400 48
	95	Torque (Nm) Speed (rpm)			1.300 138	2.600 63			1.600 136	3.200 63			1.900 132	3.800 61				4.400 58
1st gear (parallel mode), 2 nd gear (serial mode)																	■ Intermittend mode (max. 10% per minute)	

Motor-Version 245 ccm (Standard)

Pressure at rotary drive			100 bar				140 bar				170 bar				200 bar			
Gear					2 nd	1 st			2 nd	1 st			2 nd	1 st			2 nd	1 st
Oil flow rate (lpm)	50	Torque (Nm) Speed (rpm)			1.100 65	2.300 28			1.500 63	3.000 26			1.900 61	3.800 23			2.300 58	4.400 22
	75	Torque (Nm) Speed (rpm)			1.100 94	2.300 46			1.500 91	3.100 45			1.900 88	3.800 43				4.500 40
	95	Torque (Nm) Speed (rpm)			1.100 118	2.300 56			1.500 115	3.000 54			1.900 112	3.800 52				4.500 49
1st gear (parallel mode), 2 nd gear (serial mode)																	■ Intermittend mode (max. 10% per minute)	

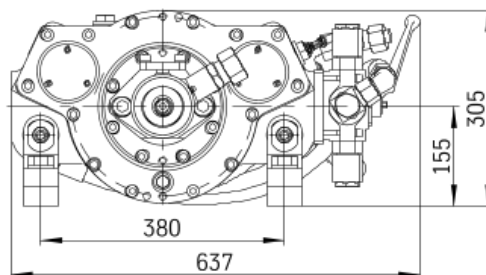
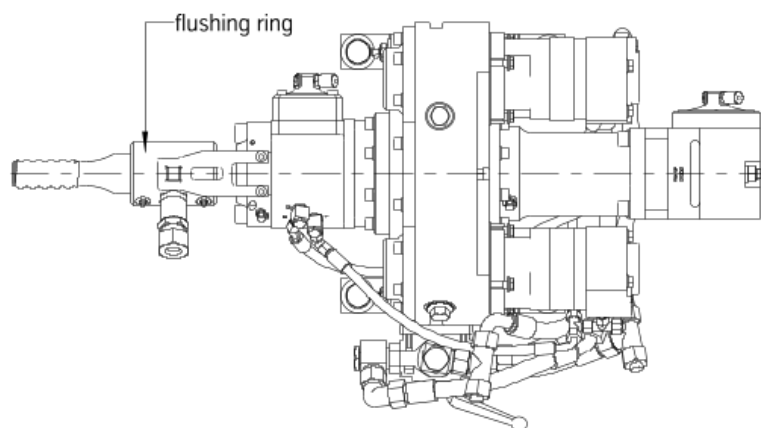
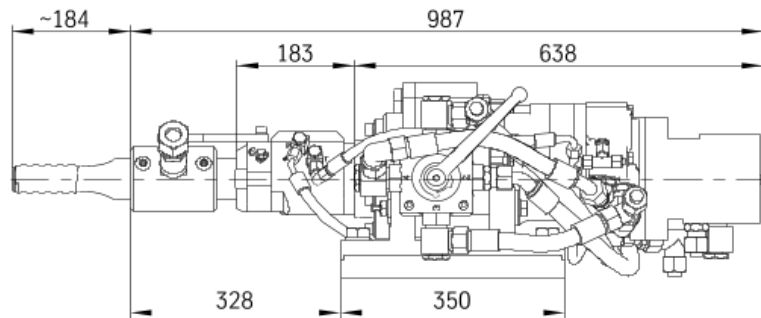
Motor-Version 310 ccm

Pressure at rotary drive			70 bar				100 bar				140 bar				170 bar			
Gear					2 nd	1 st			2 nd	1 st			2 nd	1 st			2 nd	1 st
Oil flow rate (lpm)	50	Torque (Nm) Speed (rpm)			900 53	1.900 22			1.400 52	2.900 22			2.000 51	3.800 21			2.400 50	4.800 20
	75	Torque (Nm) Speed (rpm)			900 75	1.900 37			1.400 74	2.900 37			1.900 73	3.900 36				4.900 35
	95	Torque (Nm) Speed (rpm)			900 94	1.900 45			1.400 93	2.900 44			1.900 92	3.900 44				4.900 42
1st gear (parallel mode), 2 nd gear (serial mode)																	■ Intermittend mode (max. 10% per minute)	

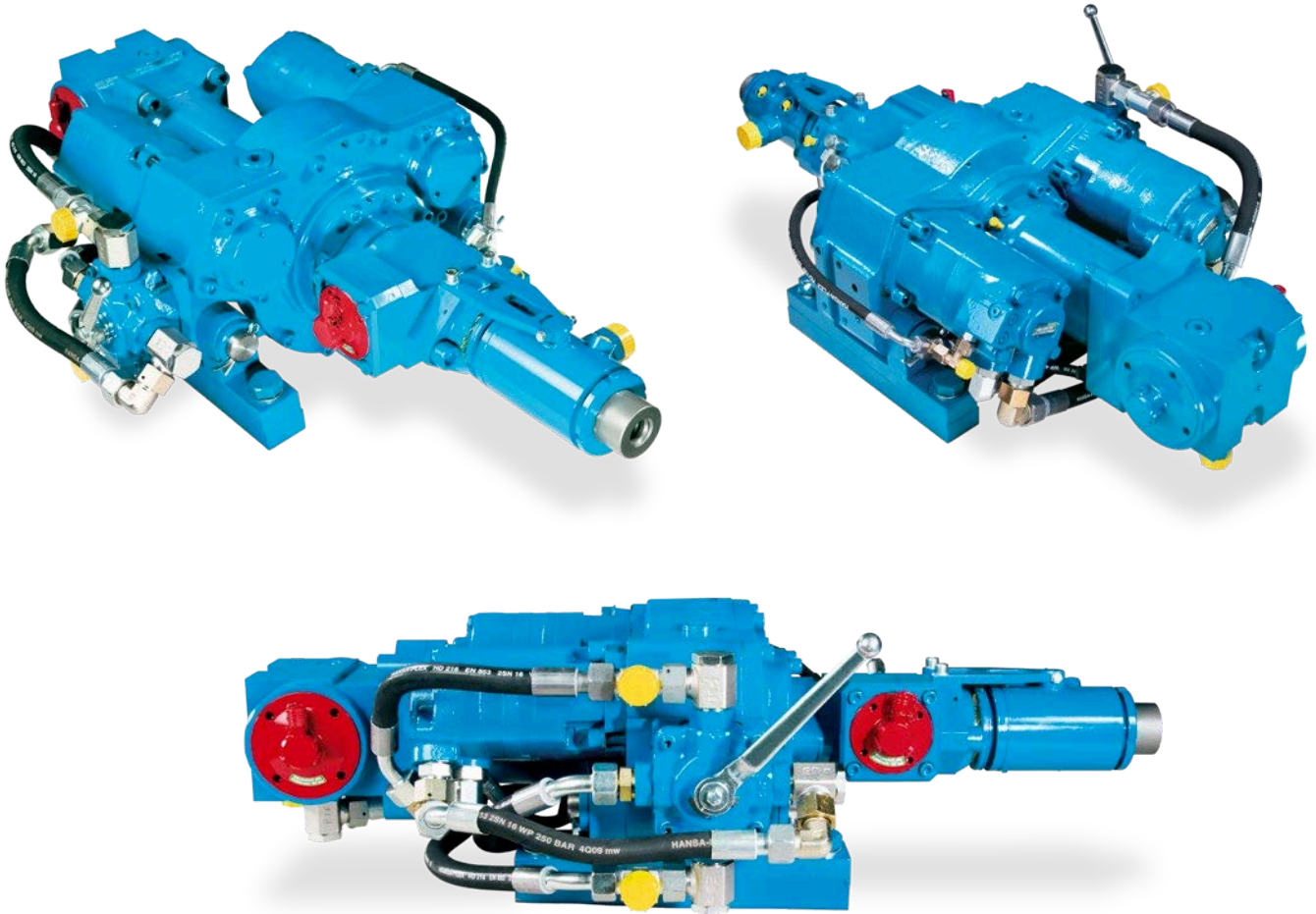
Dimensions

for Anchor-Drilling

with hydraulic damping mechanism and external flushing ring fitted to extended shank adaptor (swivel)



weight approx. 230 kg
retraction force max. 36 kN



HB20 drilling Ø52 mm (2 inch) threaded hollow bars

terra infrastructure GmbH, Alte Liederbacher Straße 6, 36304 Alsfeld, Germany
P: +49 6631 781-0
sales.drilling@terra-infrastructure.com | www.terra-infrastructure.com

Australia

terra infrastructure Pty Ltd, 11 Woodford Pl, Thornton NSW 2322, Australia
P: +61 2 8448-3555
info.anz@terra-infrastructure.com
www.terra-infrastructure.com.au

New Zealand, Pacific Islands

terra infrastructure Pty Ltd, 180 Fred Taylor Drive, Whenuapai Auckland 0814, New Zealand
P: +64 9 416-8891
info.anz@terra-infrastructure.com
www.terra-infrastructure.co.nz

Baltic States

terra infrastructure UAB, Liepų g. 83, 93269 Klaipėda, Lithuania
P: +370 46 355-401
www.terra-infrastructure.com/lt



terra
infrastructure