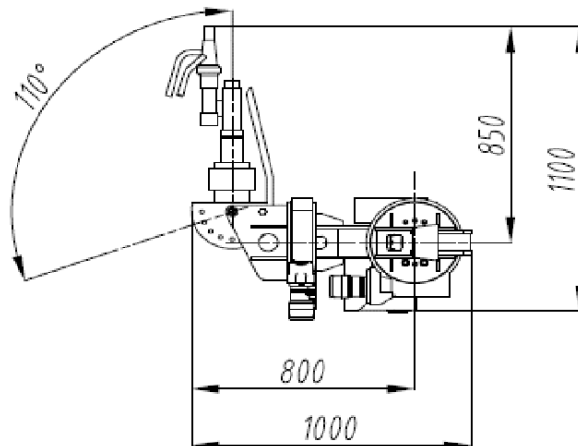
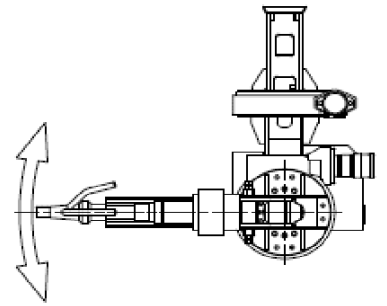
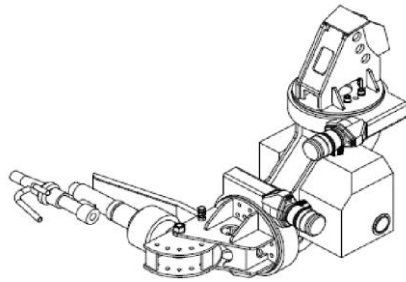
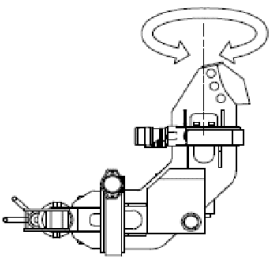




## Spray Mixing Nozzle

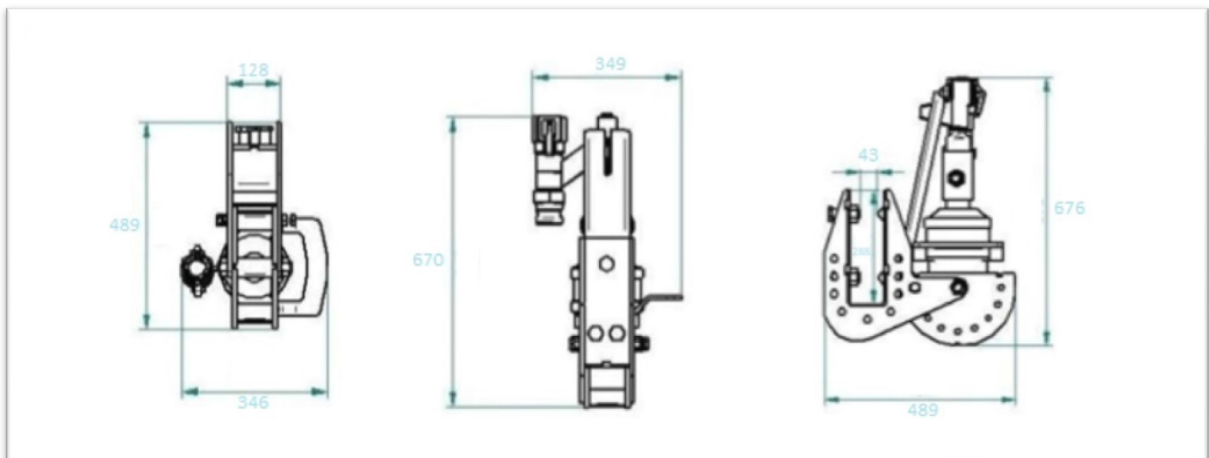


## MOUNTABLE SPRAY HEAD EASILY MOUNTED ON ALL TYPES OF EXCAVATORS CDP-A 360° - 2,5"

intended to improve operational efficiency and safety while reducing the physical hardship of the job, the **MOUNTABLE SPRAY HEAD CPD A 360°- 2,5"** is suitable for any size of shotcrete task, and can be easily mounted on all types of excavators.



Completely hydraulic-mechanical, the **MOUNTABLE SPRAY HEAD CPD-A 360° - 2,5"** is operated via the excavator's hydraulic circuit and does not require any additional components. Totally self-sufficient, it is equipped with concrete, air and additive hoses and its spray radius can be easily defined and adjusted using the regulator fitted to its housing.



Also available for higher exigency - A 360°- 2" ( Kamlock )

**Technical Specifications:** Weight ~ 65 KG

Rotation: With recommended 6 l/min oil flow at 80 bar the spray head performs one 1 full rotation per second, which can be increased seamlessly by increasing the oil flow.