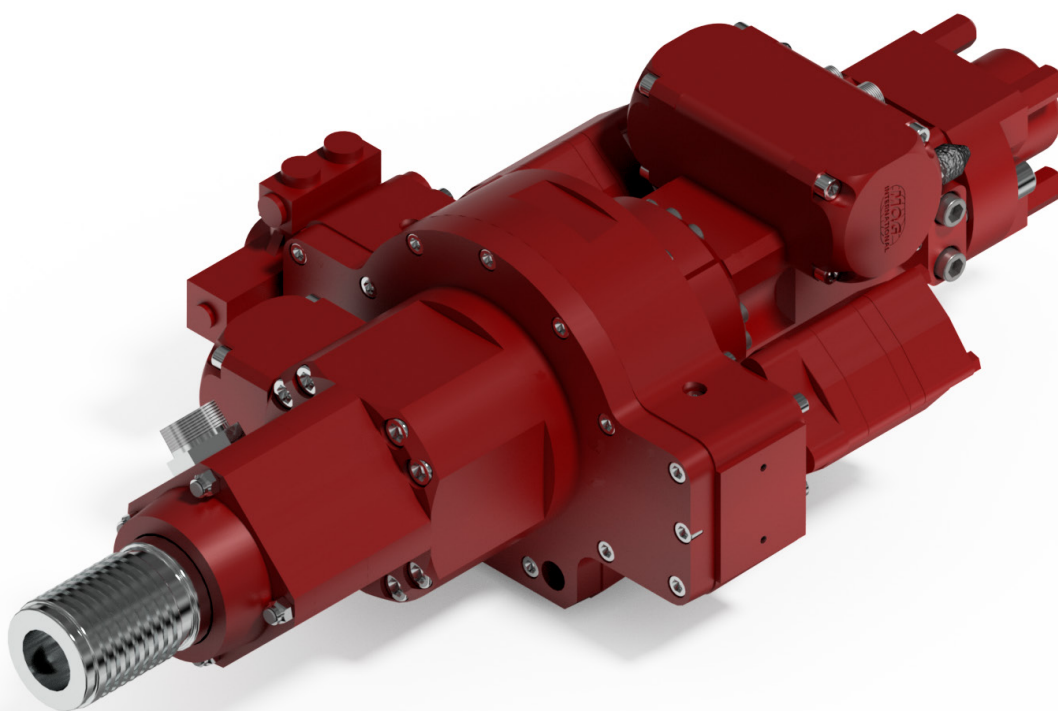


MARINI[®]

QUARRIES GROUP



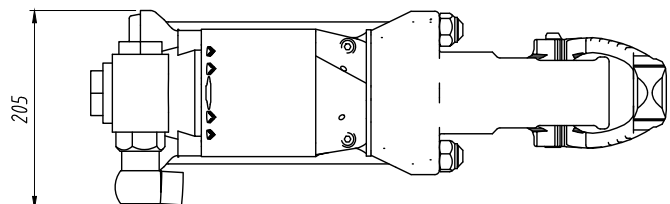
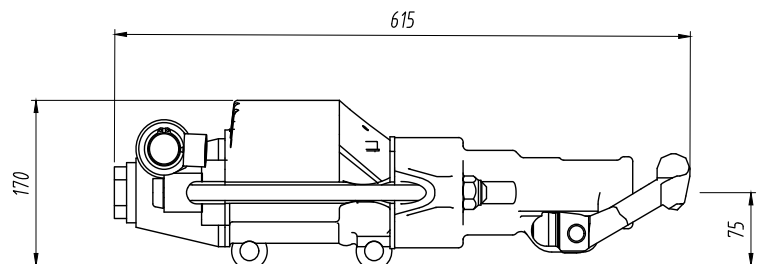
PERFORATORI

PERFORATORI
DRIFTERS
PERFORATEUR
BOHRER

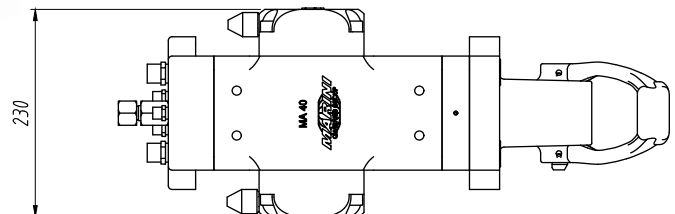
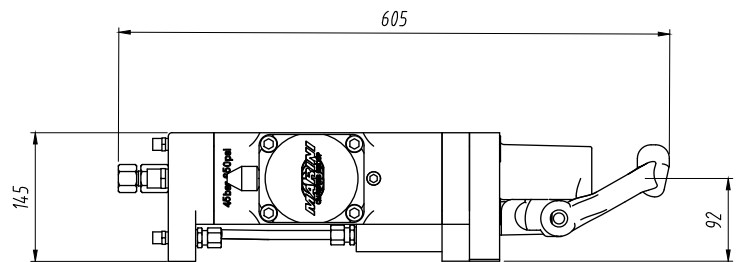


Pneumatico / Pneumatic Pneumatique / Pneumatik	Hydro Pneumatico / Pneumatic Hydro Pneumatique Idraul / Hydra Pneumatik	Idraulico / Hydraulic Hydraulique / Hydraulik
MA 90 SR MA 100 MA 100 S-2RR MA 100 S-3R	MA100 S ID MA 100 S 2/ID	MA 40 MA 100 ID MA 100 2/ID MA 500 ID MA 500 2/ID

Pneumatiche / Pneumatic / Pneumatique / Pneumatik		
Perforatore Rock drill	Perforateur Bohrer	MA 90 SR
Rotopercussione pneumatica / Rotopercussion pneumatic/ Rotopercussion pneumatique/ Pneumatischer bohrhammer		
Aria richiesta alla percussione Air required to percuss.	Air requis pour les percussions Mittlerer Luftverbrauch	4500 lpm / 1189 gal/min
Pressione di lavoro. Working pressure	Pression de travail Betriebsdruck	6 bar / 87 psi
Frequenza di battuta Impact frequency	Fréquence de frappe Schlagfrequenz	2500 cpm
Energia di impatto Impact energy	Force de frappe Einzelschlagenergie	180 Nm / 133 lbf*ft
Giri max. Max. speed	Vitesse max. Drehzahl max.	190 rpm
Impugnatura Handle	Poignée Einsteckende	22x108 – 25x108mm (7/8" x 4¼" or 1" x 4¼")
Peso Weight	Poids Gewicht	30 Kg / 66.13 lb

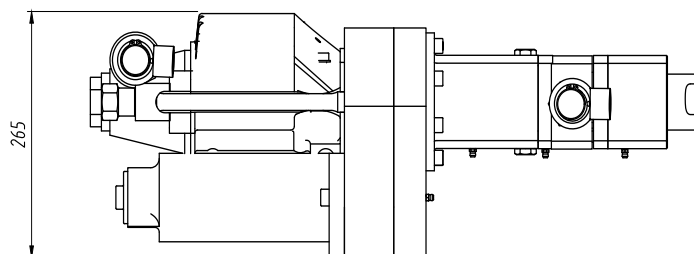
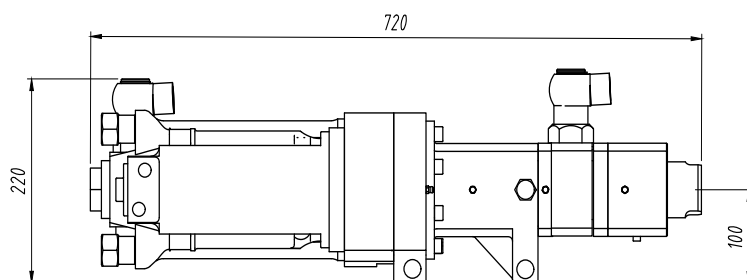
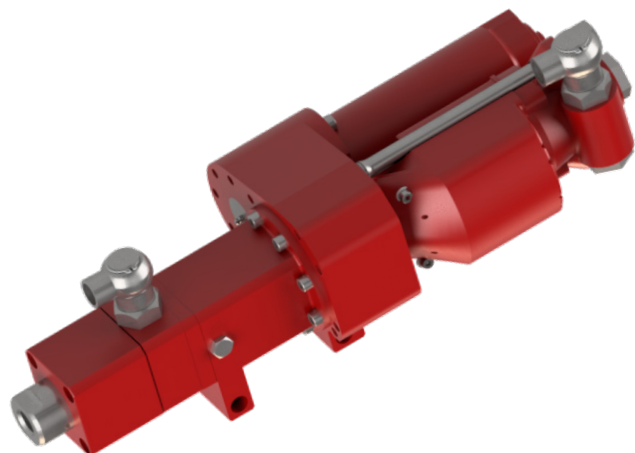


Idraulico / Hydraulic / Hydraulique / Hydraulik		
Perforatore Rock drill	Perforateur Bohrer	MA 40
Percussione idraulica / Hydraulic percussion / Percussion hydraulique / Hydraulikhammer		
Portata Olio Oil flow	Débit d'huile Öldurchsatz	40 ÷ 50 lpm (10.56 ÷ 13.20 gal/min)
Pressione di lavoro. Working pressure	Pression de travail Betriebsdruck	140 ÷ 160 bar / 2030 ÷ 2320 psi
Frequenza di battuta Impact frequency	Fréquence de frappe Schlagfrequenz	3200 ÷ 3500 cpm
Energia di impatto Impact energy	Force de frappe Einzelschlagenergie	150 Nm / 110 lbf*ft
Potenza di impatto Impact power	Puissance d'impact Schlagkraft	7.5 kW
Rotazione idraulica / Hydraulic rotation / Rotation hydraulique / Hydraulische Dreh		
Pressione di lavoro. Working pressure	Pression de travail Betriebsdruck	90 bar / 1305 psi
Portata Olio Oil flow	Débit d'huile Öldurchsatz	10/12/14 lpm (2.64 / 3.17 / 3.69 gal/min)
Coppia max. Max. torque	Couple max. Drehmoment max.	9 daNm (66.38 lbft)
Giri max. Max. speed	Vitesse max. Drehzahl max.	200 / 235 / 270 rpm
Impugnatura Handle	Poignée Einsteckende	22x108 – 25x108mm (7/8" x 4 1/4" or 1" x 4 1/4")
Peso Weight	Poids Gewicht	43 Kg / 94.79 lb

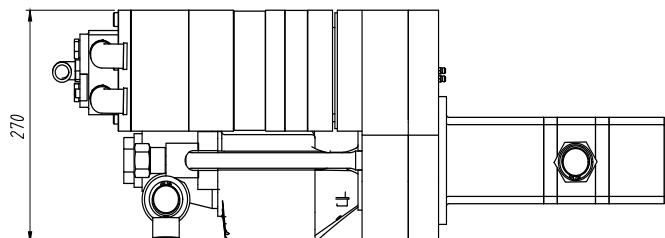
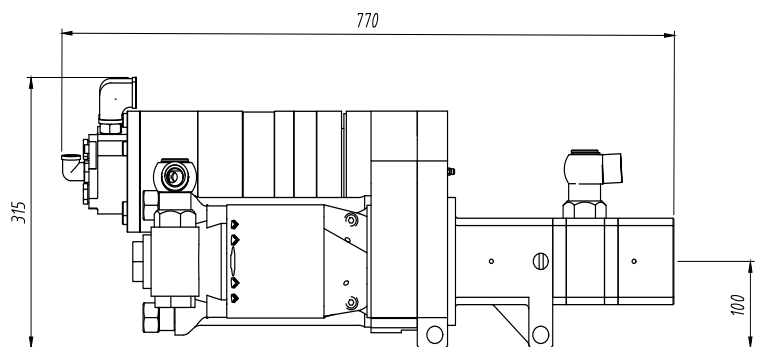
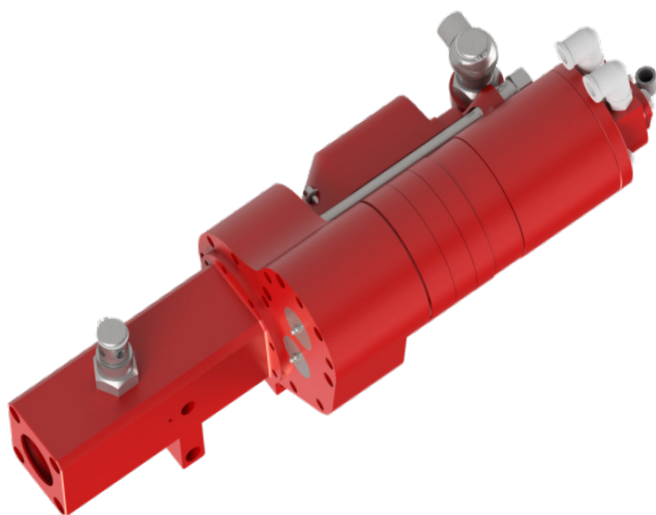


PERFORATORI- / DRIFTERS / PERFORATEUR / BOHRER

Pneumatico / Pneumatic / Pneumatique / Pneumatik		
Perforatore Rock drill	Perforateur Bohrer	MA 100 S 2RR
Percussione pneumatica / Pneumatic percussion / Percussion pneumatique / Percussion Pneumatik		
Aria richiesta alla percussione Air required to percuss.	Air requis pour les percussions Mittlerer Luftverbrauch	4500 lpm / 1189 gal/min
Pressione di lavoro Working pressure	Pression de travail Betriebsdruck	5 ÷ 6 bar / 72.5 ÷ 87 psi
Frequenza di battuta Impact frequency	Fréquence de frappe Schlagfrequenz	2800 cpm
Energia d'impatto Impact energy	Force de frappe Einzelschlagenergie	180 Nm / 133 lbf*ft
Potenza d'impatto Impact power	Puissance d'impact Schlagkraft	8 kW
Rotazione pneumatica / Pneumatic rotation / Rotation pneumatique / Pneumatik Dreh		
Aria richiesta alla rotazione Air required to rotation	air requis pour les rotation Für Drehung benötigte luf	1200 lpm / 317 gal/min
Rotazione Rotation	Rotation Drehung	2RR
Coppia max. Max. torque	Couple max. Drehmoment max.	30 daNm (221 lbf*ft)
Giri max. Max. speed	Vitesse max. Drehzahl max.	60 rpm
Aste filettate ed auto perforanti Threaded and self-anchoring rods	Barres filetées et autoforeuses Gewindestangen und Bohrschrauben	R25/R32/R38/R51 ISCHEBECK TITAN 30/40/52
Peso Weight	Poids Gewicht	58 Kg / 127.8 lb

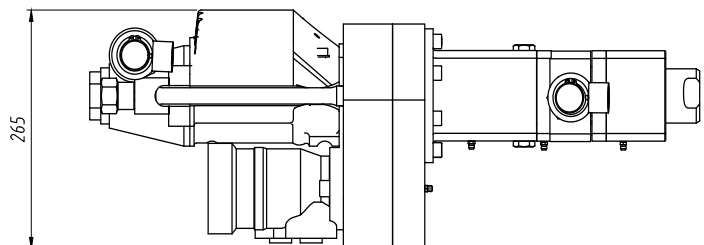
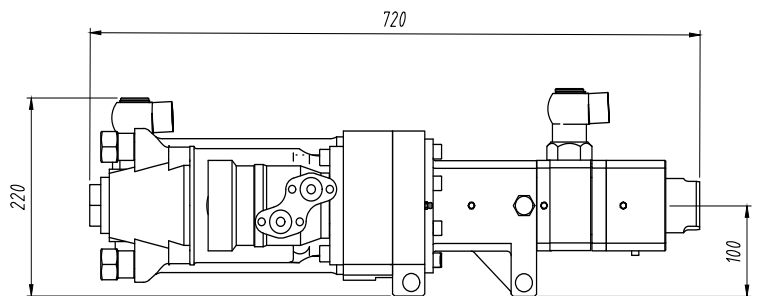
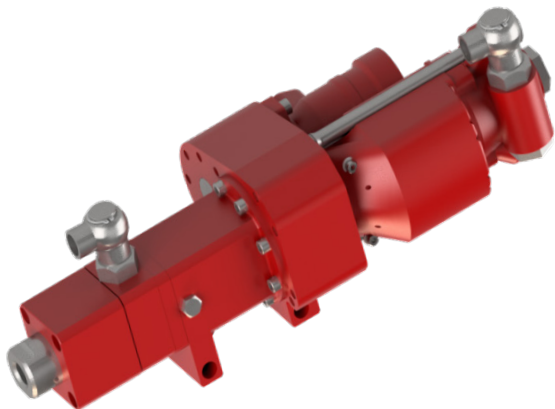


Pneumatico / Pneumatic / Pneumatique / Pneumatik		
Perforatore Rock drill	Perforateur Bohrer	MA 100 S 3R
Percussione pneumatica / Pneumatic percussion / Percussion pneumatique / Percussion Pneumatik		
Aria richiesta alla percussione Air required to percuss.	Air requis pour les percussions Mittlerer Luftverbrauch	4500 lpm / 1189 gal/min
Pressione di lavoro Working pressure	Pression de travail Betriebsdruck	5 ÷ 6 bar / 72.5 ÷ 87 psi
Frequenza di battuta Impact frequency	Fréquence de frappe Schlagfrequenz	2800 cpm
Energia d'impatto Impact energy	Force de frappe Einzelschlagenergie	180 Nm / 133 lbf*ft
Potenza d'impatto Impact power	Puissance d'impact Schlagkraft	8 kW
Rotazione pneumatica / Pneumatic rotation / Rotation pneumatique / Pneumatik Dreh		
Aria richiesta alla rotazione Air required to rotation	air requis pour les rotation Für Drehung benötigte luf	2500 lpm / 660 gal/min
Rotazione Rotation	Rotation Drehung	3R
Coppia max. Max. torque	Couple max. Drehmoment max.	32 daNm (236 lbf*ft)
Giri max. Max. speed	Vitesse max. Drehzahl max.	160 rpm
Aste filettate ed auto perforanti Threaded and self-anchoring rods	Barres filetées et autoforeuses Gewindestangen und Bohrschrauben	R25/R32/R38/R51 ISCHEBECK TITAN 30/40/52
Peso Weight	Poids Gewicht	73 Kg / 160.94 lb



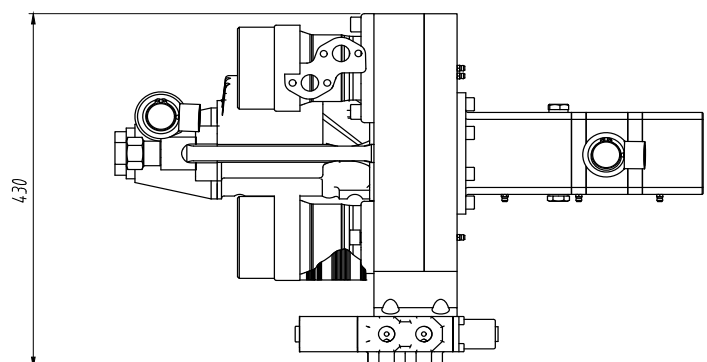
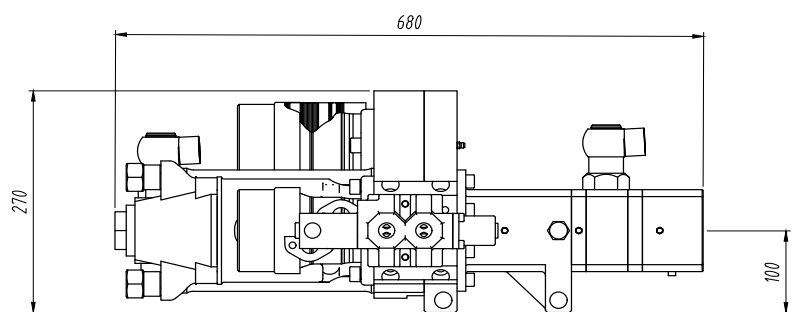
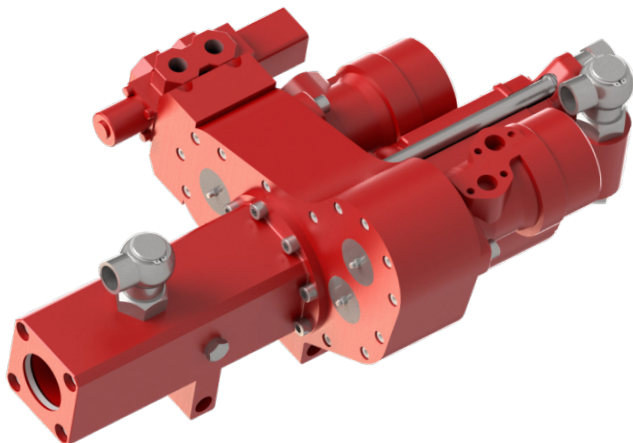
Hydro Pneumatico/ Pneumatic Hydro / Pneumatique Idraul/ Hydra Pneumatik

Perforatore Rock drill	Perforateur Bohrer	MA 100 S ID		
Percussione pneumatica / Pneumatic percussion / Percussion Pneumatique / Percussion Pneumatik				
Aria richiesta alla percussione Air required to percuss.	Air requis pour les percussions Mittlerer Luftverbrauch	4500 lpm / 1189 gal/min		
Pressione di lavoro. Working pressure	Pression de travail Betriebsdruck	5 ÷ 6 bar / 72.5 ÷ 87 psi		
Frequenza di battuta Impact frequency	Fréquence de frappe Schlagfrequenz	2800 cpm		
Energia di impatto Impact energy	Force de frappe Einzelschlagenergie	180 Nm / 133 lbf*ft		
Potenza di impatto Impact power	Puissance d'impact Schlagkraft	8 kW		
Rotazione idraulica / Hydraulic rotation / Rotation hydraulique / Hydraulische Dreh				
Motore Engine	Moteur Motor	80 cc	160 cc	200 cc
Coppia max. Max. torque	Couple max. Drehmoment max.	50 daNm (369 lbf*ft)	100 daNm (737 lbf*ft)	120 daNm (885 lbf*ft)
Giri max. Max. speed	Vitesse max. Drehzahl max.	200 rpm	100 rpm	85 rpm
Pressione di lavoro. Working pressure	Pression de travail Betriebsdruck	160 ÷ 180 bar / 2320 ÷ 2610 psi		
Portata Olio Oil flow	Débit d'huile Öldurchsatz	35 lpm / 9.24 gal/min		
Aste filettate ed auto perforanti Threaded and self-anchoring rods	Barres filetées et autoforeuses Gewindestangen und Bohrschrauben	R25/R32/R38/R51 ISCHEBECK TITAN 30/40/52		
Peso Weight	Poids Gewicht	56 Kg / 123.45 lb		

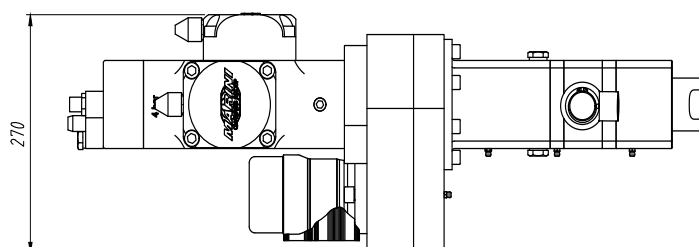
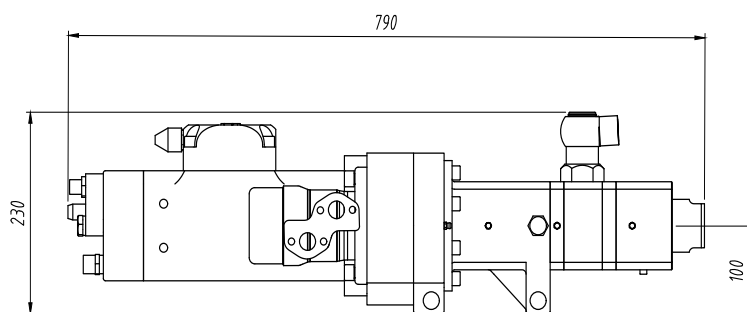
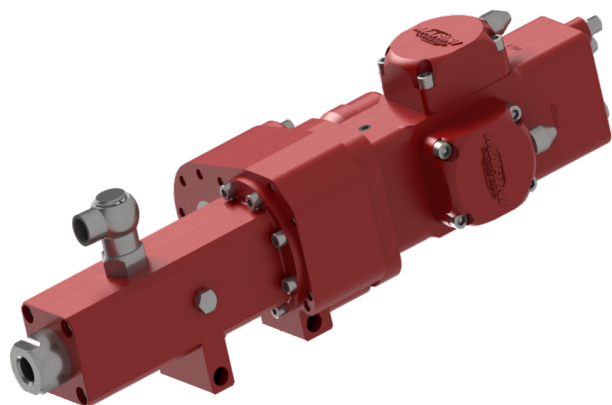


Hydro Pneumatico/ Pneumatic Hydro / Pneumatique Idraul/ Hydra Pneumatik

Perforatore Rock drill	Perforateur Bohrer	MA 100 S 2 ID		
Percussione pneumatica / Pneumatic percussion / Percussion pneumatique / Percussion Pneumatik				
Aria richiesta alla percussione Air required to percuss.	Air requis pour les percussions Mittlerer Luftverbrauch	4500 lpm / 1189 gal/min		
Pressione di lavoro Working pressure	Pression de travail Betriebsdruck	5 ÷ 6 bar / 72.5 ÷ 87 psi		
Frequenza di battuta Impact frequency	Fréquence de frappe Schlagfrequenz	2800 cpm		
Energia d'impatto Impact energy	Force de frappe Einzelschlagenergie	180 Nm / 133 lbf*ft		
Potenza d'impatto Impact power	Puissance d'impact Schlagkraft	8 kW		
Rotazione idraulica / Hydraulic rotation / Rotation hydraulique / Hydraulische dreh				
Motore Engine	Moteur Motor	80cc	160cc	200cc
Coppia max. Max. torque	Couple max. Drehmoment max.	100/50 daNm (737/369 lbf*ft)	200/100 daNm (1475/737 lbf*ft)	240/120 daNm (1770/885 lbf*ft)
Giri max. Max. speed	Vitesse max. Drehzahl max.	100/200 rpm	50/100 rpm	43/85 rpm
Marce Gears	Vitesses Gänge	2	2	2
Pressione di lavoro Working pressure	Pression de travail Betriebsdruck	160 ÷ 180 bar / 2320 ÷ 2610 psi		
Portata olio Oil flow	Débit d'huile Öldurchsatz	70 lpm / 18.49 gal/min		
Aste filettate ed auto perforanti Threaded and self-anchoring rods	Barres filetées et autoforeuses Gewindestangen und Bohrschrauben	R25/R32/R38/R51 ISCHEBECK TITAN 30/40/52		
Peso Weight	Poids Gewicht	90 kg / 198.42 lb		



Idraulico / Hydraulic / Hydraulique / Hydraulik				
Perforatore Rock drill	Perforateur Bohrer	MA 100 ID		
Percussione idraulica / Hydraulic percussion / Percussion hydraulique / Hydraulikhammer				
Energia di impatto Impact energy	Force de frappe Einzelschlagenergie	150 Nm / 110 lbf*ft		
Potenza di impatto Impact power	Puissance d'impact Schlagkraft	7.5 kW		
Frequenza di battuta Impact frequency	Fréquence de frappe Schlagfrequenz	3200 cpm		
Pressione di lavoro. Working pressure	Pression de travail Betriebsdruck	140 ÷ 160 bar / 2030 ÷ 2320 psi		
Portata Olio Oil flow	Débit d'huile Öldurchsatz	40 ÷ 50 lpm (10.56 ÷ 13.20 gal/min)		
Rotazione idraulica / Hydraulic rotation / Rotation hydraulique / Hydraulische Dreh				
Motore. Engine	Moteur. Motor	80 cc	160 cc	200 cc
Coppia max. Max. torque	Couple max. Drehmoment max.	50 daNm (369 lbf*ft)	100 daNm (737 lbf*ft)	120 daNm (885 lbf*ft)
Giri max. Max. speed	Vitesse max. Drehzahl max.	200 rpm	100 rpm	85 rpm
Marce Gears	Vitesses Gänge	1	1	1
Pressione di lavoro. Working pressure	Pression de travail Betriebsdruck	160 ÷ 180 bar / 2320 ÷ 2610 psi		
Portata Olio Oil flow	Débit d'huile Öldurchsatz	30 lpm / 7.92 gal/min		
Aste filettate ed auto perforanti Threaded and self-anchoring rods	Barres filetées et autoforeuses Gewindestangen und Bohrschrauben	R25/R32/R38/R51 ISCHEBECK TITAN 30/40/52		
Peso Weight	Poids Gewicht	72 Kg / 158.73 lb		



Idraulico / Hydraulic / Hydraulique / Hydraulik

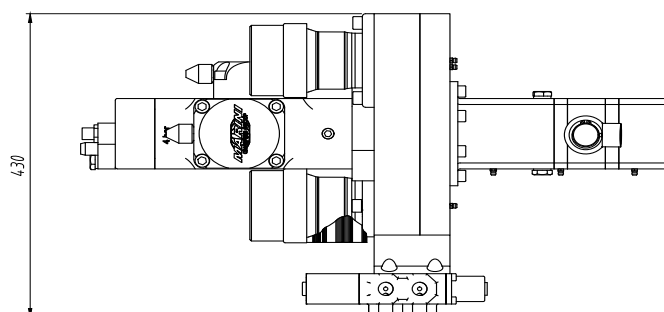
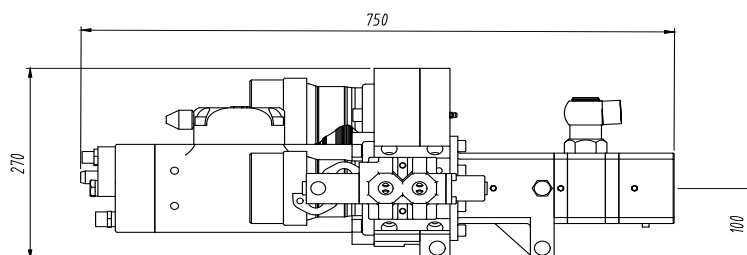
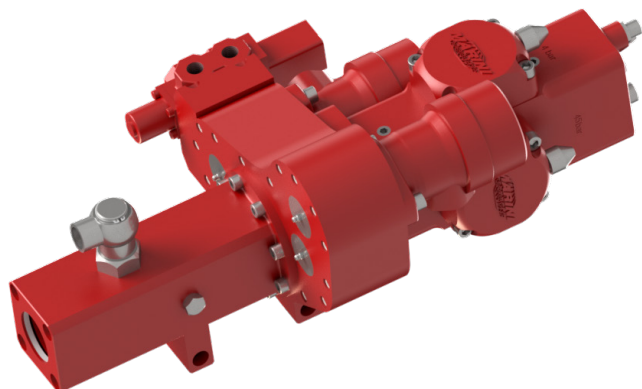
Perforatore Rock drill	Perforateur Bohrer	MA 100 2 ID
---------------------------	-----------------------	-------------

Percussione idraulica / Hydraulic percussion / Percussion hydraulique / Hydraulikhammer

Energia di impatto Impact energy	Force de frappe Einzelschlagenergie	150 Nm / 110 lbf*ft
Potenza di impatto Impact power	Puissance d'impact Schlagkraft	7.5 kW
Frequenza di battuta Impact frequency	Fréquence de frappe Schlagfrequenz	3200 ÷ 3500 cpm
Pressione di lavoro Working pressure	Pression de travail Betriebsdruck	140 ÷ 160 bar / 2030 ÷ 2320 psi
Portata Olio Oil flow	Débit d'huile Öldurchsatz	40 ÷ 50 lpm (10.56 ÷ 13.20 gal/min)

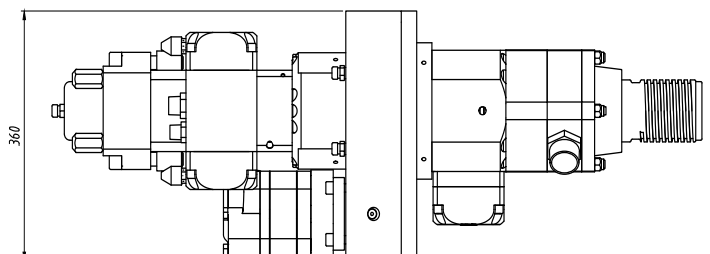
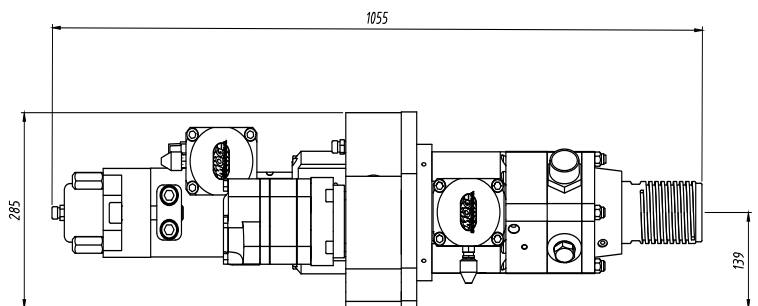
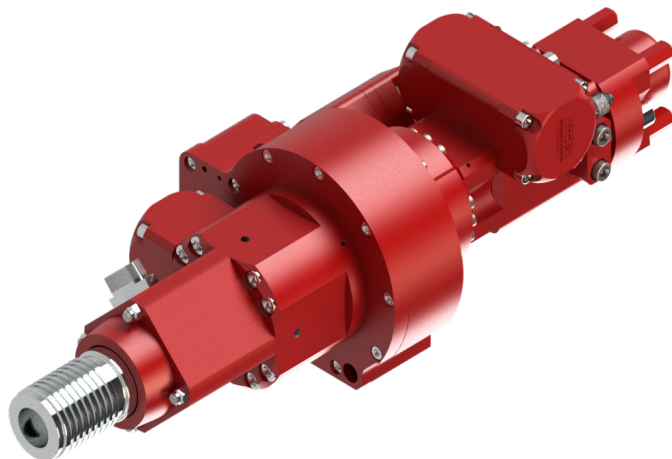
Rotazione idraulica / Hydraulic rotation / Rotation hydraulique / Hydraulische dreh

Motore Engine	Moteur Motor	80cc	160cc	200cc
Coppia max. Max. torque	Couple max. Drehmoment max.	100/50 daNm (737/369 lbf*ft)	200/100 daNm (1475/737 lbf*ft)	240/120 daNm (1770/885 lbf*ft)
Giri max. Max. speed	Vitesse max. Drehzahl max.	100/200 rpm	50/100 rpm	43/85 rpm
Marce Gears	Vitesses Gänge	2	2	2
Pressione di lavoro Working pressure	Pression de travail Betriebsdruck	160 ÷ 180 bar / 2320 ÷ 2610 psi		
Portata olio Oil flow	Débit d'huile Öldurchsatz	70 lpm / 18.49 gal/min		
Aste filettate ed auto perforanti Threaded and self-anchoring rods	Barres filetées et autoforeuses Gewindestangen und Bohrschrauben	R25/R32/R38/R51 ISCHEBECK TITAN 30/40/52		
Peso Weight	Poids Gewicht	90 kg / 198.42 lb		



Dati Tecnici- Technical Data- Caractéristiques Technique- Technische Daten

Idraulico / Hydraulic / Hydraulique / Hydraulik					
Perforatore Rock drill	Perforateur Bohrer	MA 500 ID			
Percussione idraulica / Hydraulic percussion / Percussion hydraulique / Hydraulikhammer					
Energia di impatto Impact energy	Force de frappe Einzelschlagenergie	320 Nm / 237 lbf*ft			
Potenza di impatto Impact power	Puissance d'impact Schlagkraft	15 kW			
Frequenza di battuta Impact frequency	Fréquence de frappe Schlagfrequenz	2100 ÷ 2300 cpm			
Pressione di lavoro. Working pressure	Pression de travail Betriebsdruck	150 ÷ 180 bar / 2176 ÷ 2611 psi			
Portata Olio Oil flow	Débit d'huile Öldurchsatz	40 ÷ 50 lpm (10.56 ÷ 13.20 gal/min)			
Rotazione idraulica / Hydraulic rotation / Rotation hydraulique / Hydraulische Dreh					
Motore. Engine	Moteur. Motor	160 cc	200 cc	250 cc	
Coppia max. Max. torque	Couple max. Drehmoment max.	140 daNm (1032.5 lbf*ft)	200 daNm (1475 lbf*ft)	250 daNm (1844 lbf*ft)	
Giri max. Max. speed	Vitesse max. Drehzahl max.	130 rpm	100 rpm	80 rpm	
Marce Gears	Vitesses Gänge	1	1	1	
Pressione di lavoro. Working pressure	Pression de travail Betriebsdruck	200 bar / 2900 psi			
Portata Olio Oil flow	Débit d'huile Öldurchsatz	70 lpm / 18.49 gal/min			
Aste filettate ed auto perforanti Threaded and self-anchoring rods	Barres filetées et autoforeuses Gewindestangen und Bohrschrauben	R25/R32/R38/R51 ISCHEBECK TITAN 30/40/52 / C90-R51			
Peso Weight	Poids Gewicht	180 Kg / 396.83 lb			



Idraulico / Hydraulic / Hydraulique / Hydraulik

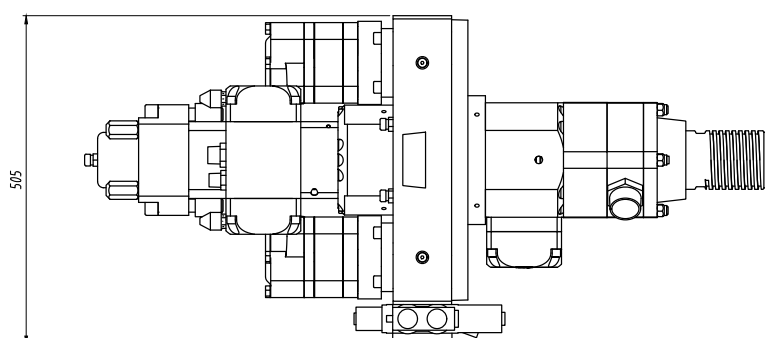
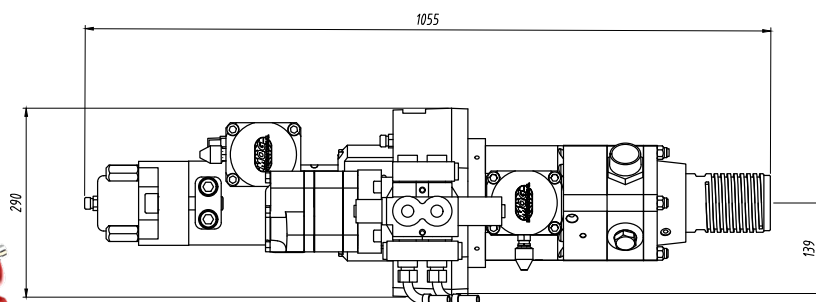
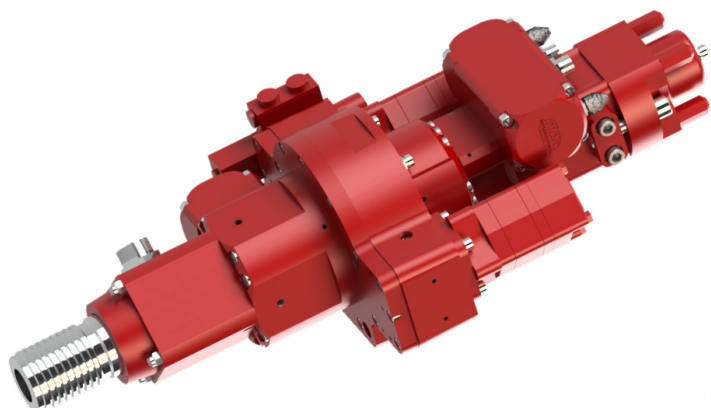
Perforatore Rock drill	Perforateur Bohrer	MA 500 / 2 ID
---------------------------	-----------------------	---------------

Percussione idraulica / Hydraulic percussion / Percussion hydraulique / Hydraulikhammer

Energia di impatto Impact energy	Force de frappe Einzelschlagenergie	320 Nm / 237 lbf*ft
Potenza di impatto Impact power	Puissance d'impact Schlagkraft	15 kW
Frequenza di battuta Impact frequency	Fréquence de frappe Schlagfrequenz	2100 ÷ 2300 cpm
Pressione di lavoro. Working pressure	Pression de travail Betriebsdruck	150 ÷ 180 bar / 2176 ÷ 2611 psi
Portata Olio Oil flow	Débit d'huile Öldurchsatz	40 ÷ 50 lpm (10.56 ÷ 13.20 gal/min)

Rotazione idraulica / Hydraulic rotation / Rotation hydraulique / Hydraulische Dreh

Motore. Engine	Moteur. Motor	160 cc	200 cc	250 cc	
Coppia max. Max. torque	Couple max. Drehmoment max.	280 / 140 daNm (2065 / 1032.5 lbf*ft)	400 / 200 daNm (2950 / 1475 lbf*ft)	500 / 250 daNm (3688 / 1844 lbf*ft)	
Giri max. Max. speed	Vitesse max. Drehzahl max.	65 / 130 rpm	50 / 100 rpm	40 / 80 rpm	
Marce Gears	Vitesses Gänge	2	2	2	
Pressione di lavoro. Working pressure	Pression de travail Betriebsdruck	200 bar / 2900 psi			
Portata Olio Oil flow	Débit d'huile Öldurchsatz	70 lpm / 18.49 gal/min			
Aste filettate ed auto perforanti Threaded and self-anchoring rods	Barres filetées et autoforeuses Gewindestangen und Bohrschrauben	R25/R32/R38/R51 ISCHEBECK TITAN 30/40/52 / C90-R51			
Peso Weight	Poids Gewicht	220 Kg / 485.01 lb			



MARINI[®]

QUARRIES GROUP

... working to grow together...

MARINI QUARRIES GROUP S.R.L.

Via Beura 44-28844 Villadossola (VB)-ITALY

Tel. +39 0324 575106 Fax. +39 0324 54096

Web site www.mariniqg.it

email: mariniqg@mariniqg.it

