

Simplex Jet Grouting System (HDI) D 88.9

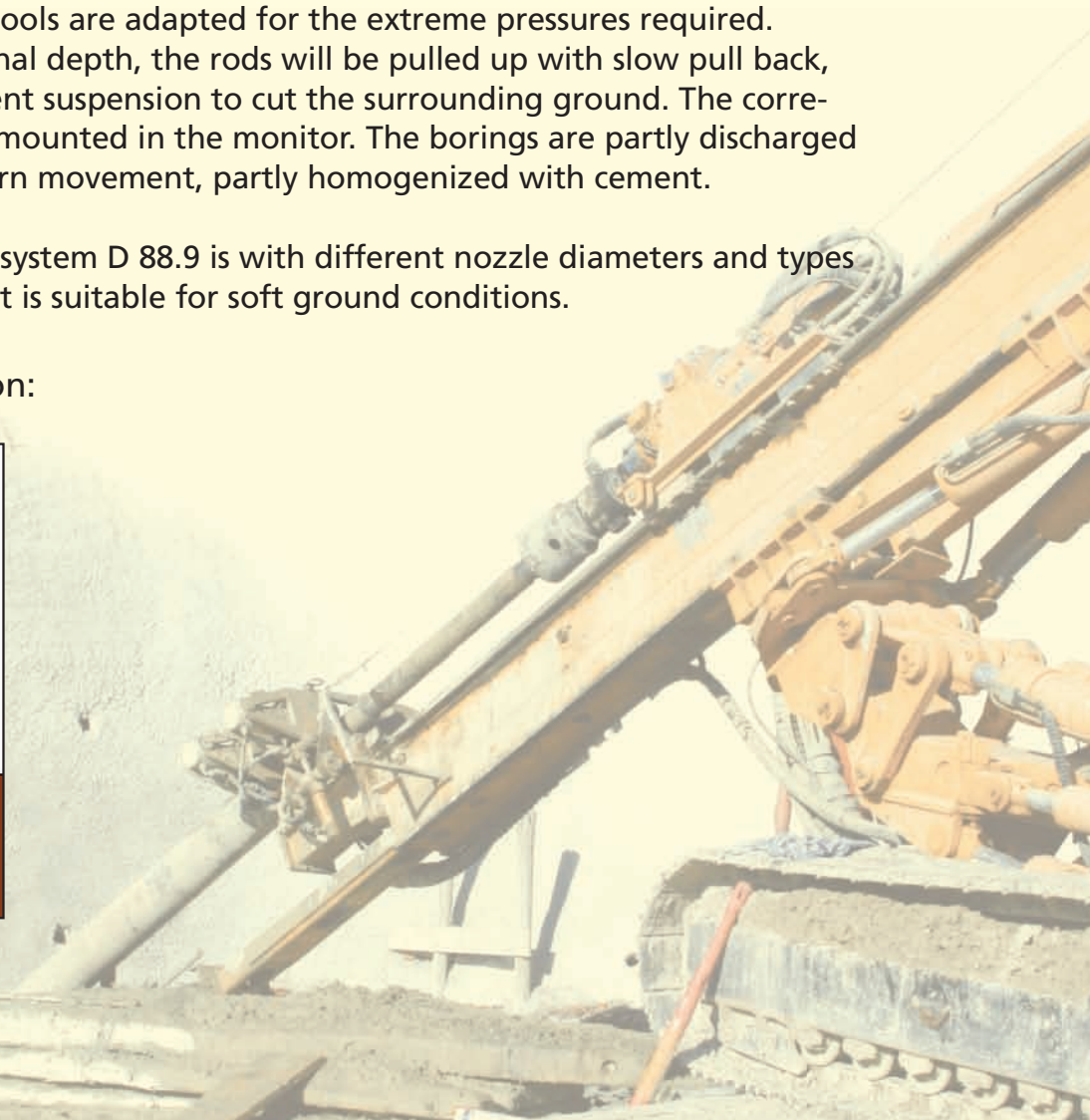
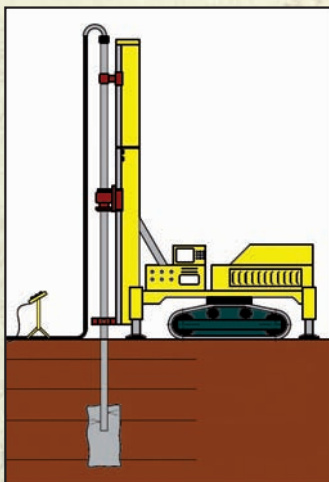
with hydraulic drifter

This drilling system is especially used for grout injection to improve the ground conditions by i.e. consolidation, vertical shoring or lining slicing the soil structure by means of a jet of grout at pressures of 100 to 600 bar.

This drilling process is normally carried out using a hydraulic drifter and external flushing. The drilling tools are adapted for the extreme pressures required. Having reached the final depth, the rods will be pulled up with slow pull back, allowing a jet of cement suspension to cut the surrounding ground. The corresponding nozzles are mounted in the monitor. The borings are partly discharged with the flushing return movement, partly homogenized with cement.

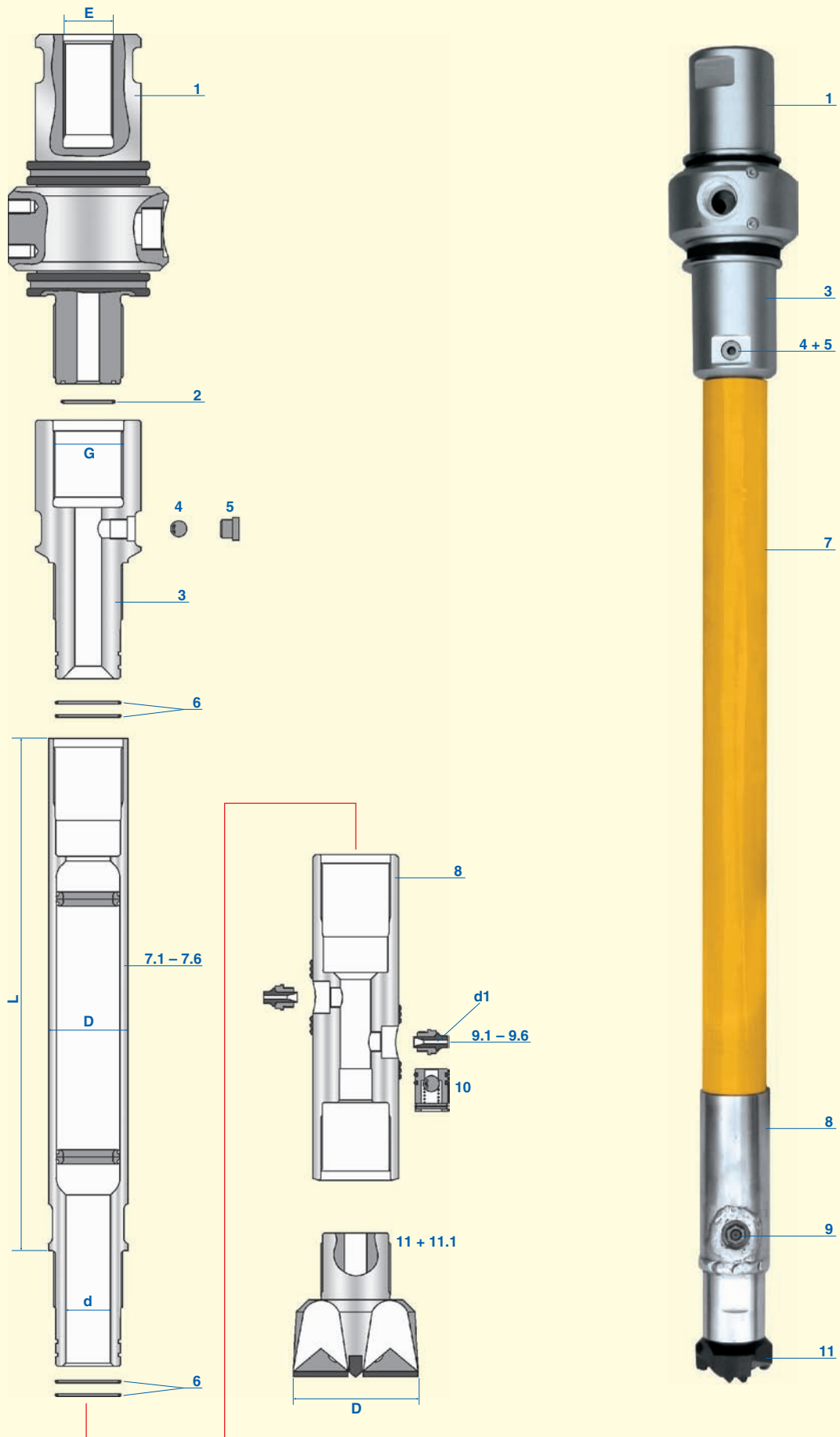
This complete drilling system D 88.9 is with different nozzle diameters and types of drill bits available. It is suitable for soft ground conditions.

Sample of application:



Simplex Jet Grouting System

with hydraulic drifter



Simplex Jet Grouting System D 88,9

with hydraulic drifter

Pos.	Description
1	Simplex jet grouting flushing head D 88.9, 1 start, con. RHT male (2 starts cyl. RHT on option) (G) x H55 RHT female (E) x A = G 1 1/4" RHT female, complete
2	Seal
3	Adaptor D 88.9, 1 start, cyl. RHT female (G) x 1 start, cyl. RHT male (2 starts, cyl. RHT on option)
4	Ball
5	Plug
6	Seals
7	Jet grouting simplex tube D 88.9, 1 start, con. RHT (2 starts, cyl. RHT on option) (G) x 8.8mm wth. Quality casing: high tempered steel; Welding ends: high tempered steel, friction welded
7.1	500 mm length
7.2	1000 mm length
7.3	1500 mm length
7.4	2000 mm length
7.5	3000 mm length
7.6	4000 mm length
8	Jet grouting simplex monitor D 88.9, 1 start, con. RHT female (2 starts, cyl. RHT female on option) x 1 start, cyl. RHT female, with 2 nozzle seats M 20 x 1.5mm
9	Jet grouting nozzles M 20 x 1.5mm
9.1	d1 = 2.0mm
9.2	d1 = 2.5mm
9.3	d1 = 3.0mm
9.4	d1 = 3.5mm
9.5	d1 = 4.0mm
9.6	d1 = 4.5mm
10	Back pressure valve
11	Percussion bit D 88.9, 1 start, cyl. RHT male x D 115mm, cross plate
12	Percussion bit D 88.9, 1 start, cyl. RHT male x D 115mm, button type

Tool

Spanner SW 80

Signs & Symbols

LHT = left hand thread; RHT = right hand thread; D = outer diameter; d = inner diameter; cyl. = cylindrical; con. = conical; SF = spannerflat; L = length; wth = wall thickness; G = thread connection; SW = key width.

The following threads are on offer: right hand, left hand, cylindrical or conical. All casings can be made friction-welded or with nipples.

Please note that this production sheet shows only standard versions due to the lot of possible tool variations. Special designs on request.