



FOR STONE COLUMNS AND DEEP COMPACTION

VL18 - VL40 - VL110 VIBROLANCE

**New easy on-site
maintenance concept**



FAYAT GROUP

Easy on-site maintenance concept

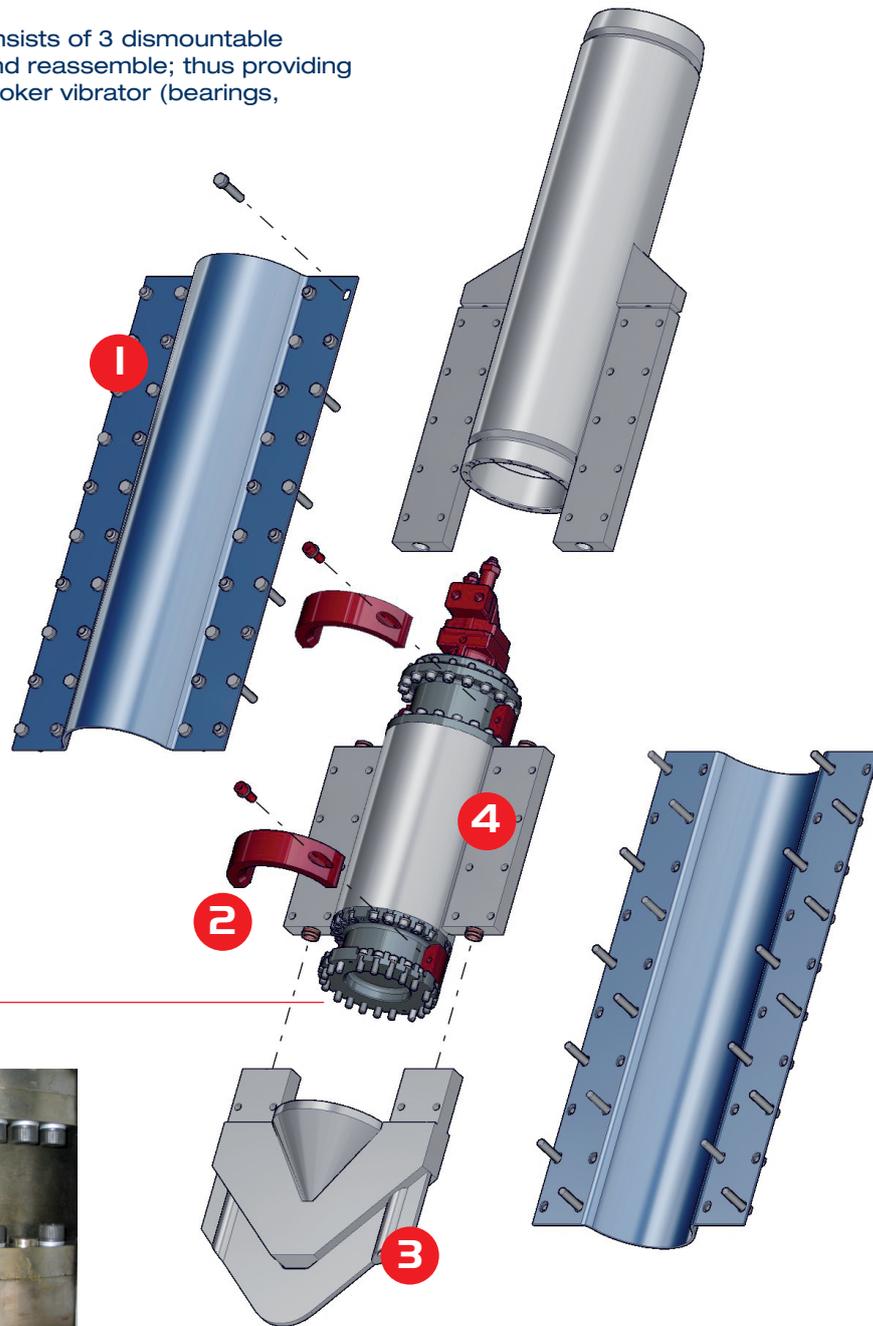
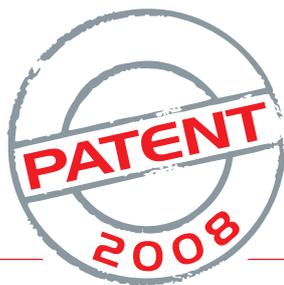
The new patented Vibrolance design consists of 3 dismountable modules which are easy to take apart and reassemble; thus providing quick access to all internal parts of the poker vibrator (bearings, hydraulic motor, eccentrics, and more)

1 Dismount the wear shields made of Hardox steel

2 Remove the two brackets

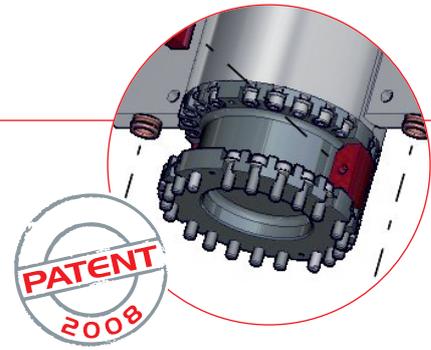
3 Take off the wear tip made of a resistant steel

4 Dismount the vibrating housing



Just unscrew the 2 brackets locking the screws!

No more need for grinding the welds and rewelding the parts



Modularity and Adaptability

5m long extension tubes allow adjusting the length of the Vibrolance to match to the required soil treatment depth.

Reliability and Durability

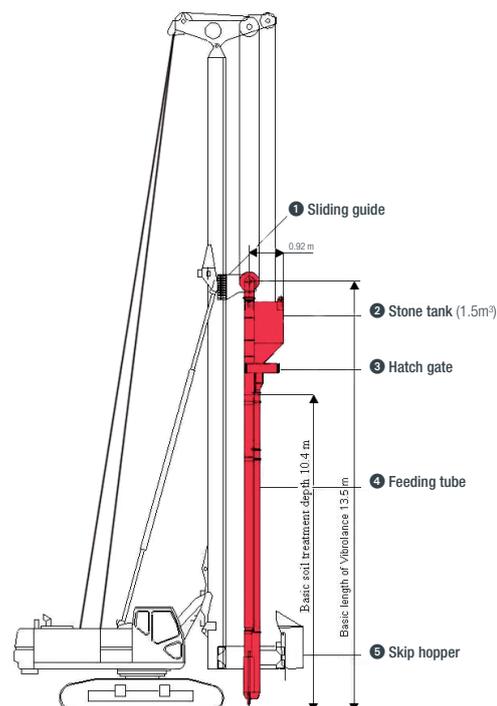
The hardox steel shields reduce the wearing of the parts and the brackets protect the screws linking the modules; hence guaranteeing the tightness and durability of the system.

Technical data	Units	VL18	VL40	VL40 S	VL110
Eccentric Moment	m.kg	1,8	4,0	4,0	11,2
Vibrolance power	kW / CV	113 / 154	135 / 183	180 / 245	202 / 274
Frequency	Hz / rpm	50 / 3000	30 / 1800	40 / 2400	28 / 1680
Centrifugal force	kN	181	145	258	353
Recommended Power pack		V240	V240	V350	V350
Engine power	kW / CV	155 / 211	155 / 211	238 / 323	238 / 323
Deep Compaction Stone Columns		+++	+++ ++	++ ++++	++++ ++
Applications		Ideal for stone columns. (High efficiency, short depth). Adaptable to Bottom Feed System	For deep compaction and stone columns using water jetting	For deeper stone columns. (fast penetration). It can also be used for sand compaction	Highest efficiency and productivity in large and deep compaction applications. It can also be used for large-diameter stone columns

• Maximum pressure for the Vibrolance range : 360 bar • Water and air jetting are available.

Bottom Feed System (BFS)

BFS Available for the model VL18



Applications



DEEP COMPACTION



STONE COLUMNS



FAYAT GROUP

56 rue de Neuilly
93136 Noisy-le-Sec Cedex - France

Tel : +33 (0)1 49 42 72 95
Fax : +33 (0)1 48 44 00 02
E-mail : contact@ptc.fayat.com
Website : www.ptc.fayat.com